

Actuator

61-4210.0



<https://eao.com/p/61-4210.0>

Your product:



61-4210.0 Actuator

OPERATING-/INDICATION PART

Lever shape: short

Lever material: plastic

MECHANICAL CHARACTERISTIC

Operating Travel: ca. 90°

Weight: 0.006 kg

Switching action: Rest - Maintained

Switching positions: 2 positions

Switching angle: 90° right

Mechanical lifetime: According to DIN/IEC 60512-5-6 and EN/IEC 60947-5-1, 100 000 cycles of operation

Operating force: 0.025...0.1 Nm snap-action switching element, 0.4 ... 0.16 Nm slow-make switching element

Tightening torque: Max. 0.5 Nm

AMBIENT CONDITION

IP Protection: IP40 rear side, according to EN IEC 60529, IP67 front side, according to EN IEC 60529

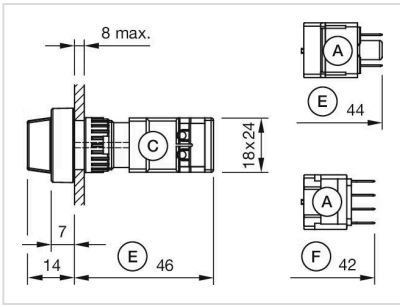
Storage temperature: - 40 °C ... + 85 °C

OTHER

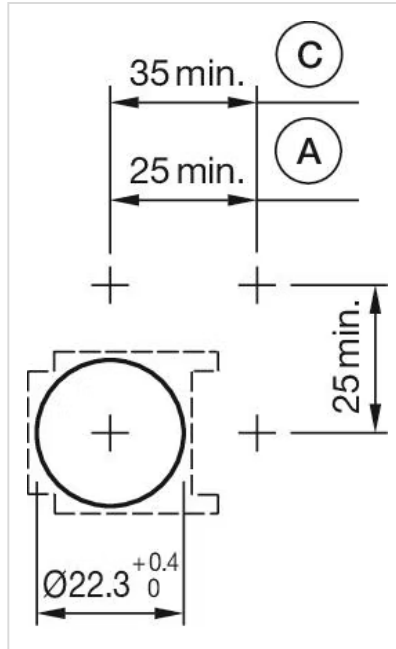
Housing material: Plastic, according to UL 94 V0, self-extinguishing

Short Description: Actuator, optional illuminative, short, Rest - Maintained

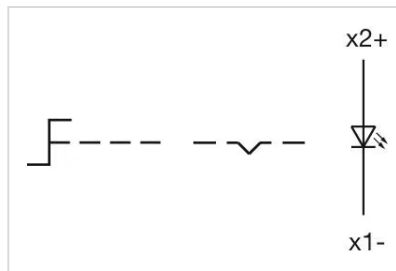
Dimension drawings:



Mounting cut-outs:



Wiring diagrams:



Switching positions:

