

# Actuator

61-  
0000.02



<https://eao.com/p/61-0000.02>

Your product:



## 61-0000.02 Actuator

### MECHANICAL CHARACTERISTIC

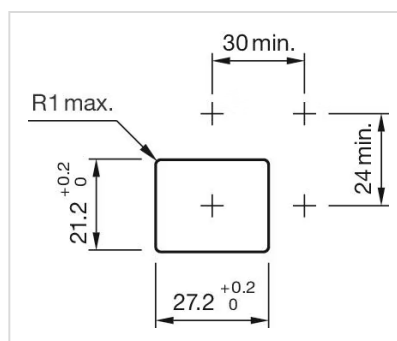
<b>Terminal:</b>	Plug-in terminal, 2.8 x 0.5 mm
<b>Weight:</b>	0.006 kg
<b>Tightening torque:</b>	Max. 0.5 Nm

### AMBIENT CONDITION

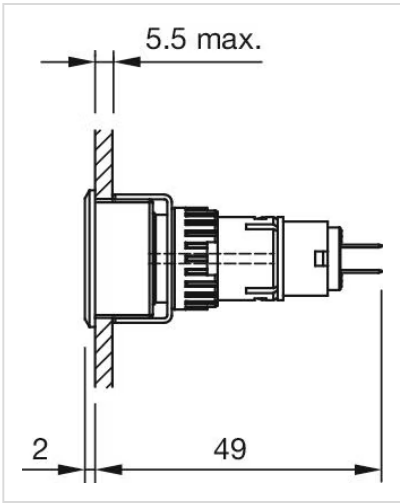
<b>IP Protection:</b>	IP40 rear side, according to EN IEC 60529, IP67 front side, according to EN IEC 60529
<b>Storage temperature:</b>	- 40 °C ... + 85 °C

### OTHER

<b>Housing material:</b>	Plastic, according to UL 94 V0, self-extinguishing
<b>Short Description:</b>	Actuator, Plug-in terminal, 2.8 x 0.5 mm
<b>Mounting cut-outs:</b>	



Dimension drawings:



Wiring diagrams:

