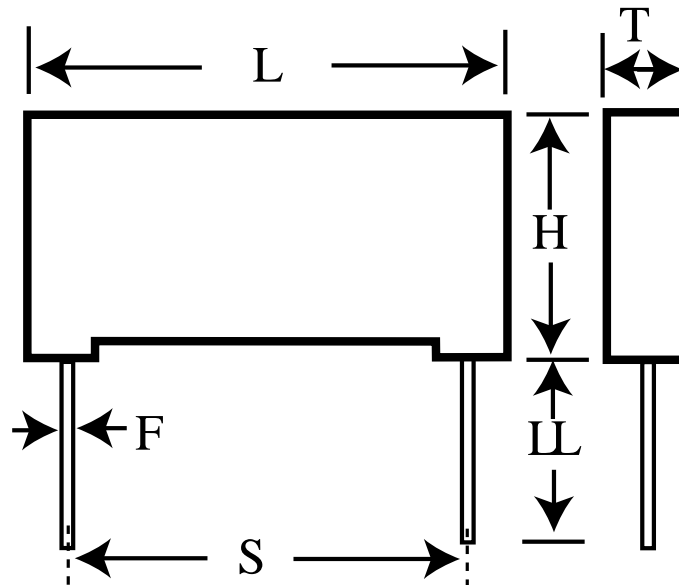


R60QW3470AA30K

aka 60QW3470AA30K

Capacitor, film, 0.47 uF, +/-10% Tol, -55/+105C, General Purpose, 1000V@85C, Lead Spacing=37.5 mm



Dimensions (mm)

Specifications

ID	Dimension	Tolerance	Manufacturer:	KEMET
L	41.5	+0.3/-0	Brand:	Arcotronics
H	22	+1/-0	Capacitance:	0.47 uF
T	11	+0.3/-0	Temperature Range:	-55/+105C
LL	4	+2/-0	Rated Temperature:	85C
F	1	+/-0.05	Voltage @ rated temp:	1000V
			Voltage AC:	250VAC
			Tolerance:	+/-10%
			Body Type:	Radial Box
			Construction:	Wound
			Application:	General Purpose
			Dissipation Factor @ 1 kHz:	1%
			Dissipation Factor @ 10 kHz:	1.5%
			Insulation Resistance:	21.28 GOhm
			Inductance:	22 nH
			Maximum dVdT:	10v/us
			Maximum K0:	20000V^2/us
			Package Kind:	Bulk
			Package Type:	Bag
			Package Quantity:	420