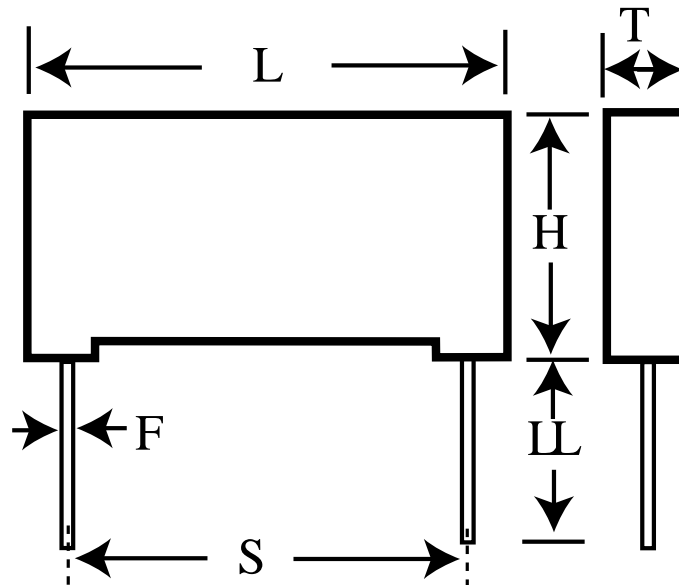


R60PN3220DQ40K

aka 60PN3220DQ40K

Capacitor, film, 0.22 uF, +/-10% Tol, -55/+105C, General Purpose, 630V@85C, Lead Spacing=22.5 mm



Dimensions (mm)

Specifications

ID	Dimension	Tolerance	Manufacturer:	KEMET
L	26.5	+0.3/-0	Brand:	Arcotronics
H	15	+1/-0	Capacitance:	0.22 uF
T	6	+0.2/-0	Temperature Range:	-55/+105C
LL	18.5	+/-0.5	Rated Temperature:	85C
F	0.8	+/-0.05	Voltage @ rated temp:	630V
			Voltage AC:	220VAC
			Tolerance:	+/-10%
			Body Type:	Radial Box
			Construction:	Wound
			Application:	General Purpose
			Dissipation Factor @ 1 kHz:	1%
			Dissipation Factor @ 10 kHz:	1.5%
			Insulation Resistance:	30 GOhm
			Inductance:	18 nH
			Maximum dVdT:	12v/us
			Maximum K0:	15000V^2/us
			Package Kind:	Ammo
			Package Type:	Box
			Package Quantity:	464