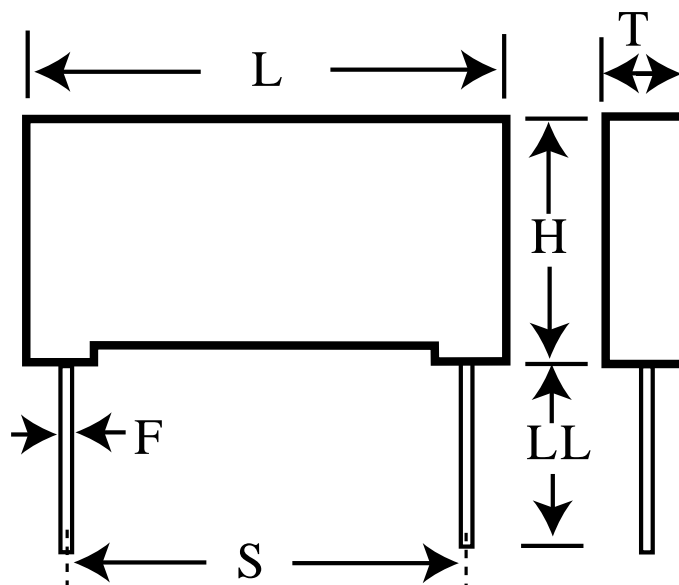


R60PI3220CK30K

aka 60PI3220CK30K

Capacitor, film, 0.22 uF, +/-10% Tol, -55/+105C, DC General Purpose, 630V@85C, Lead Spacing=15 mm



Dimensions (mm)

ID	Dimension	Tolerance
L	18	+0.3/-0
H	16	+1/-0
T	10	+0.2/-0
LL	18.5	+/-0.5
F	0.8	+/-0.05

Specifications

Manufacturer:	KEMET
Brand:	Arcotronics
Capacitance:	0.22 uF
Temperature Range:	-55/+105C
Rated Temperature:	85C
Voltage @ rated temp:	630V
Voltage AC:	220VAC
Tolerance:	+/-10%
Body Type:	Radial Box
Construction:	Non-inductive
Application:	DC General Purpose
Dielectric:	Metallized Polyester
Dissipation Factor @ 1 kHz:	1%
Dissipation Factor @ 10 kHz:	1.5%
Insulation Resistance:	30 GOhm
Inductance:	10 nH
Maximum dVdT:	25v/us
Maximum K0:	31000V^2/us
Package Kind:	T&R
Package Size:	500mm
Package Quantity:	600