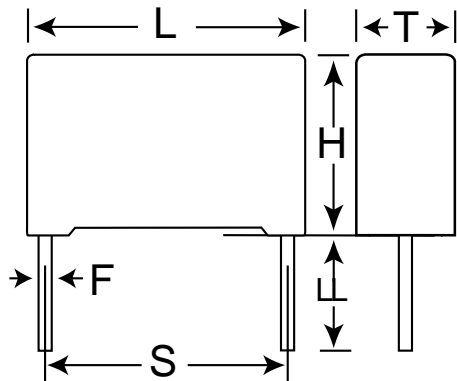


KEMET Part Number: R60PF2100DQ30J
(60PF2100DQ30J)

Capacitor, film, 0.01 uF, +/-5% Tol, -55/+105C, General Purpose, 630V@85C, Lead Spacing=10 mm



Dimensions (mm)		
Symbol	Dimension	Tolerance
L	13	+0.2/-0
H	9	+1/-0
T	4	+0.2/-0
LL	18.5	+/-0.5
F	0.6	+/-0.05

Packaging Specifications	
Package Kind:	Ammo
Package Type:	Box
Package Quantity:	1000

General Information	
Manufacturer:	KEMET
Brand:	Arcotronics
Miscellaneous Electrical:	Note: Not for New Design 06.18.2012

Electrical Specifications	
Capacitance:	0.01 uF
Rated Temperature:	85C
Voltage @ rated temp:	630V
Voltage AC:	220VAC
Tolerance:	+/-5%
Body Type:	Radial Box
Construction:	Wound
Application:	General Purpose
Temperature Range:	-55/+105C
Dissipation Factor @ 1 kHz:	1%
Dissipation Factor @ 10 kHz:	1.5%
Insulation Resistance:	30 GOhm
Inductance:	9 nH
Maximum dVdT:	40v/us
Maximum K0:	50000V ² /us