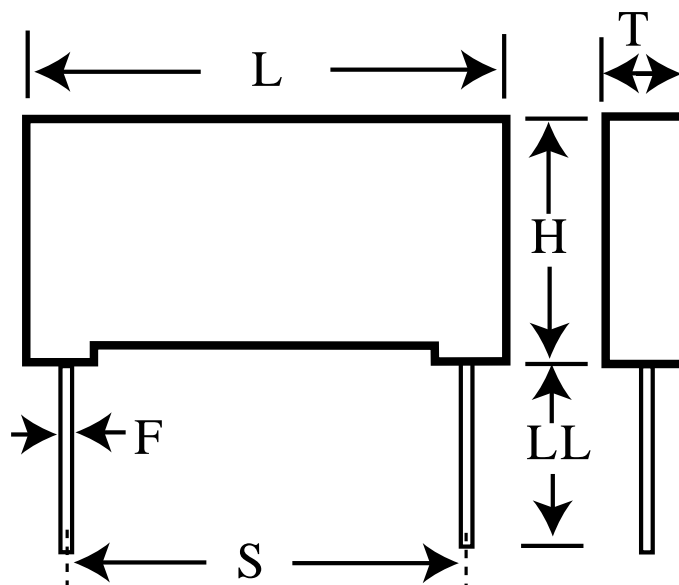


R60MI34704040K

aka 60MI34704040K

Capacitor, film, 0.47 uF, +/-10% Tol, -55/+105C, DC General Purpose, 400V@85C, Lead Spacing=15 mm



Dimensions (mm)

ID	Dimension	Tolerance
L	18	+0.3/-0
H	13.5	+1/-0
T	7.5	+0.2/-0
LL	30	+5/-0
F	0.8	+/-0.05

Specifications

Manufacturer:	KEMET
Brand:	Arcotronics
Capacitance:	0.47 uF
Temperature Range:	-55/+105C
Rated Temperature:	85C
Voltage @ rated temp:	400V
Voltage AC:	200VAC
Tolerance:	+/-10%
Body Type:	Radial Box
Construction:	Non-inductive
Application:	DC General Purpose
Dielectric:	Metallized Polyester
Dissipation Factor @ 1 kHz:	1%
Dissipation Factor @ 10 kHz:	1.5%
Insulation Resistance:	21.28 GOhm
Inductance:	10 nH
Maximum dVdT:	20v/us
Maximum K0:	16000V^2/us
Package Kind:	Bulk
Package Type:	Bag
Package Quantity:	700