

# 60KEHD10AFPD ✓ ACTIVE

Corcom KEH

TE Internal #: 1-1609969-4

3-Phase Filters, 60A Current Rating, Terminal Block Input, Terminal Block Output, DELTA (3 wire + ground), Operating Voltage 440 VAC, Corcom KEH

[View on TE.com >](#)



EMI & EMC Solutions > EMI Filters > Power Line Filters > 3-Phase Filters



Current Rating: **60 A**

Input Termination Type: **Terminal Block**

Output Termination Type: **Terminal Block**

Wiring Configuration: **DELTA (3 wire + ground)**

Operating Voltage: **440 VAC**

## Features

### Product Type Features

Filtering Requirements	Filtered
Input Termination Type	Terminal Block
Output Termination Type	Terminal Block

### Configuration Features

Wiring Configuration	DELTA (3 wire + ground)
----------------------	-------------------------

### Electrical Characteristics

Leakage Current (Max) (230VAC, 50Hz)	6
Current Rating	60 A
Operating Voltage	440 VAC

### Mechanical Attachment

Product Mount Type	Chassis
--------------------	---------

### Usage Conditions

Operating Temperature Range	-25 – 85 °C
-----------------------------	-------------

## Product Compliance

[For compliance documentation, visit the product page on TE.com>](#)

EU RoHS Directive 2011/65/EU	Compliant with Exemptions
EU ELV Directive 2000/53/EC	Not Compliant
China RoHS 2 Directive MIIT Order No 32, 2016	Restricted Materials Above Threshold
EU REACH Regulation (EC) No. 1907/2006	<p>Current ECHA Candidate List: JUNE 2024 (241)</p> <p>Candidate List Declared Against: JAN 2024 (240)</p> <p>SVHC &gt; Threshold: Pb (3% in Component Part)</p> <p><b>Article Safe Usage Statements:</b> Do not eat, drink or smoke when using this product. Wash thoroughly after handling. Recycle if possible and dispose of the article by following all applicable governmental regulations relevant to your geographic location.</p>
Halogen Content	Not Low Halogen - contains Br or Cl > 900 ppm.
Solder Process Capability	Not reviewed for solder process capability

### Product Compliance Disclaimer

This information is provided based on reasonable inquiry of our suppliers and represents our current actual knowledge based on the information they provided. This information is subject to change. The part numbers that TE has identified as EU RoHS compliant have a maximum concentration of 0.1% by weight in homogenous materials for lead, hexavalent chromium, mercury, PBB, PBDE, DBP, BBP, DEHP, DIBP, and 0.01% for cadmium, or qualify for an exemption to these limits as defined in the Annexes of Directive 2011/65/EU (RoHS2). Finished electrical and electronic equipment products will be CE marked as required by Directive 2011/65/EU. Components may not be CE marked. Additionally, the part numbers that TE has identified as EU ELV compliant have a maximum concentration of 0.1% by weight in homogenous materials for lead, hexavalent chromium, and mercury, and 0.01% for cadmium, or qualify for an exemption to these limits as defined in the Annexes of Directive 2000/53/EC (ELV). Regarding the REACH Regulation, the information TE provides on SVHC in articles for this part number is based on the latest European Chemicals Agency (ECHA) 'Guidance on requirements for substances in articles' posted at this URL: <https://echa.europa.eu/guidance-documents/guidance-on-reach>

## Compatible Parts

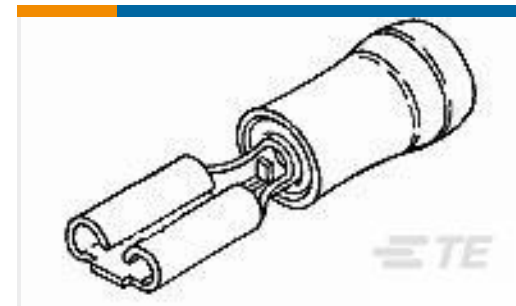


Also in the Series | [Corcom KEH](#)



3-Phase Filters(38)

## Customers Also Bought

TE Part #640923-1  
RECEPT,PIDG FASTON 22-18 110TE Part #2000713-2  
RA Keyed Guide Mod. Vita 46,  
MachinedTE Part #2000713-3  
RA Keyed Guide Mod, Vita 46,  
MachinedTE Part #1-1469492-9  
MULTIGIG RT 9MM GUIDE/ESD UNKETE Part #1757820-4  
AMPLIMITE,ASY,RCPT,STD,109,ZN,4TE Part #2-320568-3  
PIDG Ring Tongue TerminalsTE Part #2000713-1  
RA Keyed Guide Mod, Vita 46,  
MachinedTE Part #8-61060-1  
RECEPT,PIDG FASTON 22-18 110

## Documents

### Product Drawings

[KEH 60A 2S SP DELTA 440VAC](#)

English

### CAD Files

Customer View Model

[ENG\\_CVM\\_CVM\\_1-1609969-4\\_B.3d\\_igs.zip](#)

English

Customer View Model

[ENG\\_CVM\\_CVM\\_1-1609969-4\\_B.3d\\_stp.zip](#)

English

Customer View Model

[ENG\\_CVM\\_CVM\\_1-1609969-4\\_B.2d\\_dxf.zip](#)

English

### 3D PDF

3D

By downloading the CAD file I accept and agree to the [Terms and Conditions](#) of use.



---

[Datasheets & Catalog Pages](#)

[KEH SERIES](#)

English