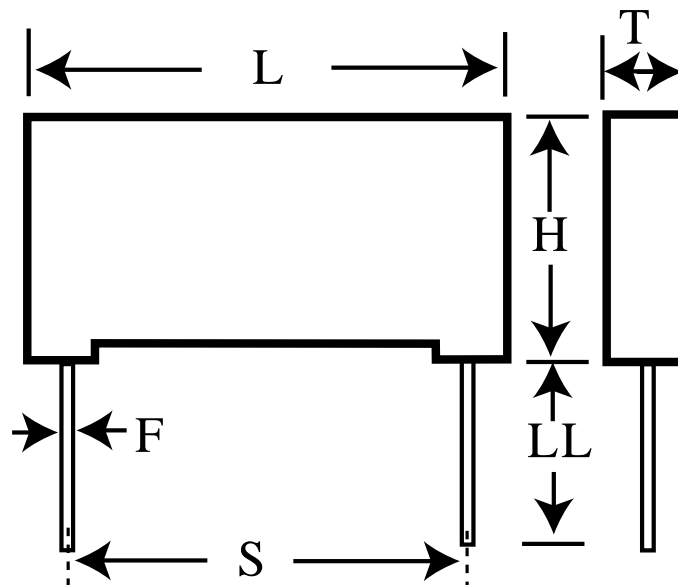


R60IN41504030J

aka 60IN41504030J

Capacitor, film, 1.5 uF, +/-5% Tol, -55/+105C, DC General Purpose, 250V@85C, Lead Spacing=22.5 mm



Dimensions (mm)

ID	Dimension	Tolerance
L	26.5	+0.3/-0
H	16	+1/-0
T	7	+0.2/-0
LL	30	+5/-0
F	0.8	+/-0.05

Specifications

Manufacturer:	KEMET
Brand:	Arcotronics
Capacitance:	1.5 uF
Temperature Range:	-55/+105C
Rated Temperature:	85C
Voltage @ rated temp:	250V
Voltage AC:	160VAC
Tolerance:	+/-5%
Body Type:	Radial Box
Construction:	Non-inductive
Application:	DC General Purpose
Dielectric:	Metallized Polyester
Dissipation Factor @ 1 kHz:	1%
Dissipation Factor @ 10 kHz:	1.5%
Insulation Resistance:	6.67 GOhm
Inductance:	18 nH
Maximum dVdT:	8v/us
Maximum K0:	4000V^2/us
Package Kind:	Bulk
Package Type:	Bag
Package Quantity:	500