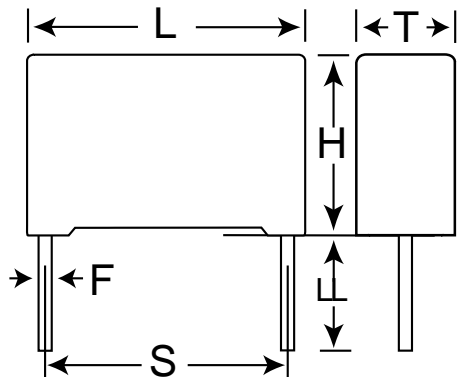


KEMET Part Number: R60IN4100CK30K
(60IN4100CK30K)

Capacitor, film, 1 uF, +/-10% Tol, -55/+105C, General Purpose, 250V@85C, Lead Spacing=22.5 mm



Dimensions (mm)		
Symbol	Dimension	Tolerance
L	26.5	+0.3/-0
H	15	+1/-0
T	6	+0.2/-0
LL	18.5	+/-0.5
F	0.8	+/-0.05

Packaging Specifications	
Package Kind:	T&R
Package Size:	500mm
Package Quantity:	700

General Information	
Manufacturer:	KEMET
Brand:	Arcotronics
Miscellaneous Electrical:	Note: Not for New Design 06.18.2012

Electrical Specifications	
Capacitance:	1 uF
Rated Temperature:	85C
Voltage @ rated temp:	250V
Voltage AC:	160VAC
Tolerance:	+/-10%
Body Type:	Radial Box
Construction:	Wound
Application:	General Purpose
Temperature Range:	-55/+105C
Dissipation Factor @ 1 kHz:	1%
Dissipation Factor @ 10 kHz:	1.5%
Insulation Resistance:	10 GOhm
Inductance:	18 nH
Maximum dVdT:	8v/us
Maximum K0:	4000V^2/us