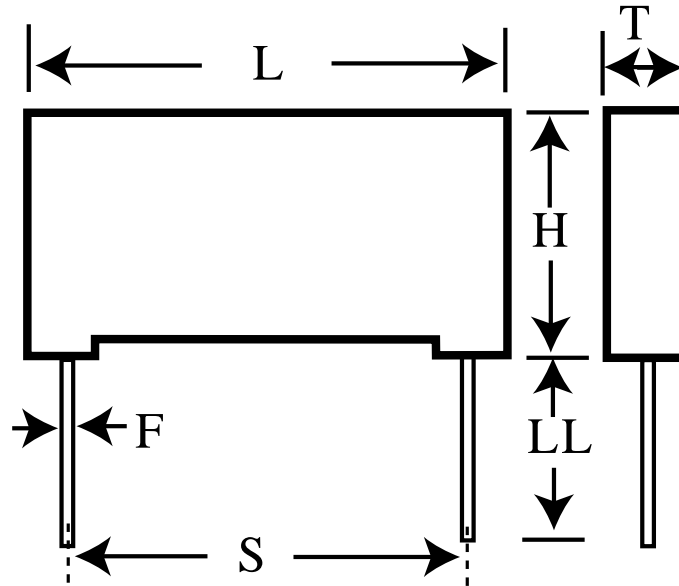


# R60IF3220AA6AJ

aka 60IF3220AA6AJ

Capacitor, film, 0.22 uF, +/-5% Tol, -55/+105C, General Purpose, 250V@85C, Lead Spacing=10 mm



## Dimensions (mm)

ID	Dimension	Tolerance
L	13	+0.2/-0
H	11	+1/-0
T	5	+0.2/-0
LL	4	+2/-0
F	0.6	+/-0.05

## Specifications

<b>Manufacturer:</b>	KEMET
<b>Brand:</b>	Arcotronics
<b>Capacitance:</b>	0.22 uF
<b>Temperature Range:</b>	-55/+105C
<b>Rated Temperature:</b>	85C
<b>Voltage @ rated temp:</b>	250V
<b>Voltage AC:</b>	160VAC
<b>Tolerance:</b>	+/-5%
<b>Body Type:</b>	Radial Box
<b>Construction:</b>	Stacked
<b>Application:</b>	General Purpose
<b>Dissipation Factor @ 1 kHz:</b>	1%
<b>Dissipation Factor @ 10 kHz:</b>	1.5%
<b>Insulation Resistance:</b>	30 GOhm
<b>Inductance:</b>	9 nH
<b>Maximum dVdT:</b>	150v/us
<b>Maximum K0:</b>	75000V^2/us
<b>Package Kind:</b>	Bulk
<b>Package Type:</b>	Bag
<b>Package Quantity:</b>	1300