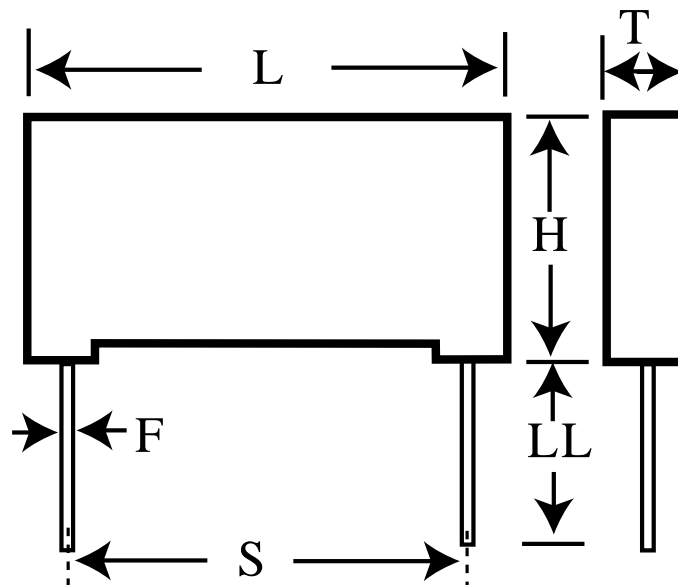


R60ER5100CK40K

aka 60ER5100CK40K

Capacitor, film, 10 uF, +/-10% Tol, -55/+105C, DC General Purpose, 100V@85C, Lead Spacing=27.5 mm



Dimensions (mm)

ID	Dimension	Tolerance
L	32	+0.3/-0
H	17	+1/-0
T	9	+0.2/-0
LL	18.5	+/-0.5
F	0.8	+/-0.05

Specifications

Manufacturer:	KEMET
Brand:	Arcotronics
Capacitance:	10 uF
Temperature Range:	-55/+105C
Rated Temperature:	85C
Voltage @ rated temp:	100V
Voltage AC:	63VAC
Tolerance:	+/-10%
Body Type:	Radial Box
Construction:	Non-inductive
Application:	DC General Purpose
Dielectric:	Metallized Polyester
Dissipation Factor @ 1 kHz:	1%
Dissipation Factor @ 10 kHz:	1.5%
Insulation Resistance:	125 MOhm
Inductance:	18 nH
Maximum dVdT:	1.5v/us
Maximum K0:	300V^2/us
Package Kind:	T&R
Package Size:	500mm
Package Quantity:	1