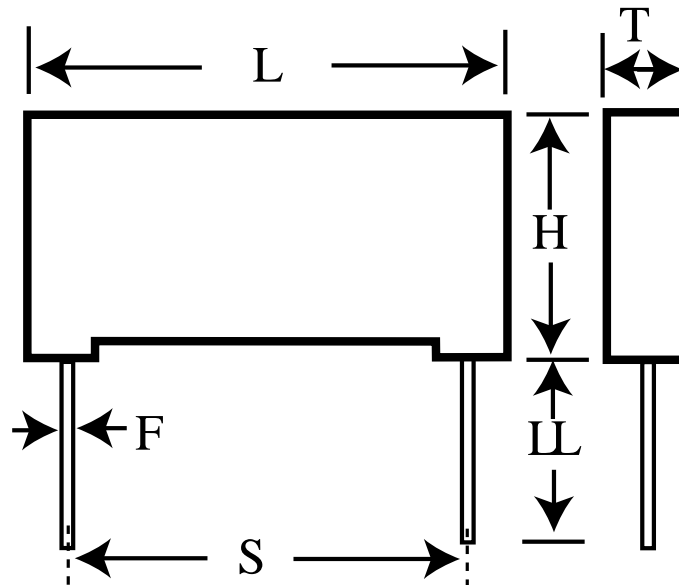


# R60EN4470CK30K

aka 60EN4470CK30K

Capacitor, film, 4.7 uF, +/-10% Tol, -55/+105C, General Purpose, 100V@85C, Lead Spacing=22.5 mm



## Dimensions (mm)

## Specifications

ID	Dimension	Tolerance	Manufacturer:	KEMET
L	26.5	+0.3/-0	Brand:	Arcotronics
H	17	+1/-0	Capacitance:	4.7 uF
T	8.5	+0.2/-0	Temperature Range:	-55/+105C
LL	18.5	+/-0.5	Rated Temperature:	85C
F	0.8	+/-0.05	Voltage @ rated temp:	100V
			Voltage AC:	63VAC
			Tolerance:	+/-10%
			Body Type:	Radial Box
			Construction:	Wound
			Application:	General Purpose
			Dissipation Factor @ 1 kHz:	1%
			Dissipation Factor @ 10 kHz:	1.5%
			Insulation Resistance:	265.96 MOhm
			Inductance:	18 nH
			Maximum dVdT:	2v/us
			Maximum K0:	400V^2/us
			Package Kind:	T&R
			Package Size:	500mm
			Package Quantity:	450