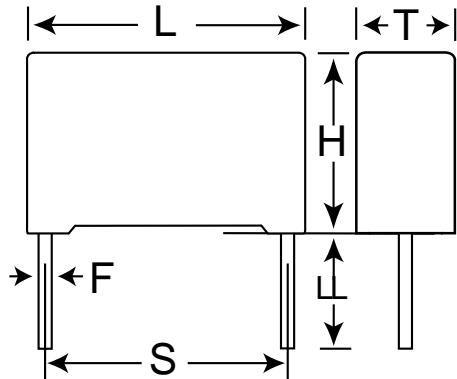


KEMET Part Number: R60DN46804030J
(60DN46804030J)

Capacitor, film, 6.8 uF, +/-5% Tol, -55/+105C, General Purpose, 63V@85C, Lead Spacing=22.5 mm



Dimensions (mm)		
Symbol	Dimension	Tolerance
L	26.5	+0.3/-0
H	16	+1/-0
T	7	+0.2/-0
LL	30	+5/-0
F	0.8	+/-0.05

Packaging Specifications	
Package Kind:	Bulk
Package Type:	Bag
Package Quantity:	500

General Information	
Manufacturer:	KEMET
Brand:	Arcotronics
Miscellaneous Electrical:	Note: Not for New Design 06.18.2012

Electrical Specifications	
Capacitance:	6.8 uF
Rated Temperature:	85C
Voltage @ rated temp:	63V
Voltage AC:	40VAC
Tolerance:	+/-5%
Body Type:	Radial Box
Construction:	Wound
Application:	General Purpose
Temperature Range:	-55/+105C
Dissipation Factor @ 1 kHz:	1%
Dissipation Factor @ 10 kHz:	1.5%
Insulation Resistance:	183.82 MOhm
Inductance:	18 nH
Maximum dVdT:	1.5v/us
Maximum K0:	190V ² /us