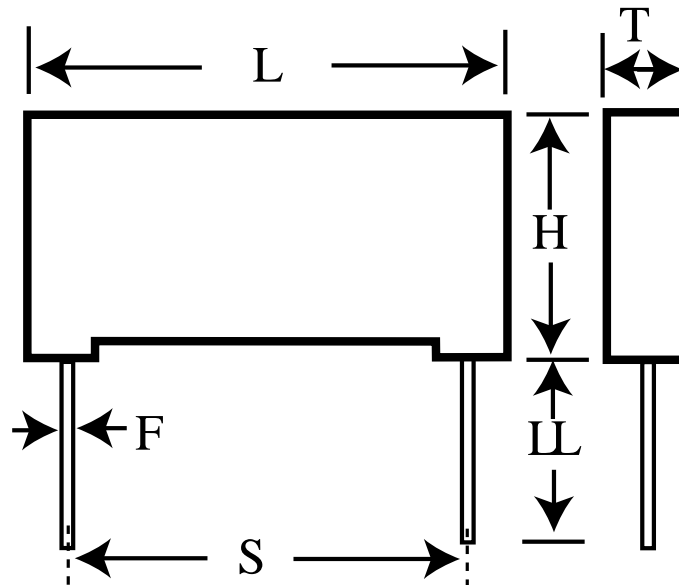


R60DI43304030K

aka 60DI43304030K

Capacitor, film, 3.3 uF, +/-10% Tol, -55/+105C, General Purpose, 63V@85C, Lead Spacing=15 mm



Dimensions (mm)

Specifications

ID	Dimension	Tolerance	Manufacturer:	KEMET
L	18	+0.3/-0	Brand:	Arcotronics
H	13.5	+1/-0	Capacitance:	3.3 uF
T	7.5	+0.2/-0	Temperature Range:	-55/+105C
LL	30	+5/-0	Rated Temperature:	85C
F	0.8	+/-0.05	Voltage @ rated temp:	63V
			Voltage AC:	40VAC
			Tolerance:	+/-10%
			Body Type:	Radial Box
			Construction:	Wound
			Application:	General Purpose
			Dissipation Factor @ 1 kHz:	1%
			Dissipation Factor @ 10 kHz:	1.5%
			Insulation Resistance:	378.79 MOhm
			Inductance:	10 nH
			Maximum dVdT:	2.5v/us
			Maximum K0:	320V^2/us
			Package Kind:	Bulk
			Package Type:	Bag
			Package Quantity:	700