



AMP-LATCH

TE Internal #: 1-1658526-6

Ribbon Cable Connectors, Wire-to-Board, 26 Position, 2.54 mm [.1 in] Centerline, 2 Row, Receptacle, Polarization Mating Alignment Type, Wire & Cable

[View on TE.com >](#)

Connectors > PCB Connectors > Wire-to-Board Connectors > FFC, FPC & Ribbon Connectors > Ribbon Cable Connectors



Connector System: **Wire-to-Board**

Number of Positions: **26**

Centerline (Pitch): **2.54 mm [.1 in]**

Row-to-Row Spacing: **2.54 mm [.1 in]**

Number of Rows: **2**

**Features**

**Product Type Features**

Connector Product Type	Connector Assembly
Connector System	Wire-to-Board
Connector & Housing Type	Receptacle
Connector & Contact Terminates To	Wire & Cable

**Configuration Features**

Number of Positions	26
Number of Rows	2

**Body Features**

Primary Product Color	Blue
-----------------------	------

**Contact Features**

Wire Contact Termination Area Plating Thickness	2.54 – 5.08 μm[100 – 200 μin]
Wire Contact Termination Area Plating Material	Tin
	30 μin
Contact Mating Area Plating Material	Gold



Contact Current Rating (Max)	1 A
------------------------------	-----

### Termination Features

Rectangular Termination Post & Tail Thickness	.36 mm[.014 in]
---	-----------------

Rectangular Termination Post & Tail Width	.46 mm[.018 in]
---	-----------------

Termination Method to Wire & Cable	Insulation Displacement (IDC)
------------------------------------	-------------------------------

### Mechanical Attachment

Mating Alignment Type	Polarization
-----------------------	--------------

Mating Retention	Without
------------------	---------

Connector Mounting Type	Cable Mount (Free-Hanging)
-------------------------	----------------------------

### Housing Features

Centerline (Pitch)	2.54 mm[.1 in]
--------------------	----------------

### Dimensions

Row-to-Row Spacing	2.54 mm[.1 in]
--------------------	----------------

### Usage Conditions

Operating Temperature Range	-55 – 125 °C[-67 – 257 °F]
-----------------------------	----------------------------

### Operation/Application

Circuit Application	Signal
---------------------	--------

## Product Compliance

[For compliance documentation, visit the product page on TE.com>](#)

EU RoHS Directive 2011/65/EU	Compliant
------------------------------	-----------

EU ELV Directive 2000/53/EC	Compliant
-----------------------------	-----------

China RoHS 2 Directive MIIT Order No 32, 2016	No Restricted Materials Above Threshold
---	---

EU REACH Regulation (EC) No. 1907/2006	Current ECHA Candidate List: JUNE 2024 (241) Candidate List Declared Against: JAN 2024 (240) Does not contain REACH SVHC
--	--

Halogen Content	Low Halogen - Br, Cl, F, I < 900 ppm per homogenous material. Also BFR/CFR/PVC Free
-----------------	---

Solder Process Capability	Not applicable for solder process capability
---------------------------	--

Product Compliance Disclaimer

This information is provided based on reasonable inquiry of our suppliers and represents our current actual knowledge based on the information they provided. This information is subject to change. The part numbers that TE has identified as EU RoHS compliant have a maximum concentration of 0.1% by weight in homogenous materials for lead, hexavalent chromium, mercury, PBB, PBDE, DBP, BBP, DEHP, DIBP, and 0.01% for cadmium, or qualify for an exemption to these limits as defined in the Annexes of Directive 2011/65/EU (RoHS2). Finished electrical and electronic equipment products will be CE marked as required by Directive 2011/65/EU. Components may not be CE marked. Additionally, the part numbers that TE has identified as EU ELV compliant have a maximum concentration of 0.1% by weight in homogenous materials for lead, hexavalent chromium, and mercury, and 0.01% for cadmium, or qualify for an exemption to these limits as defined in the Annexes of Directive 2000/53/EC (ELV). Regarding the REACH Regulation, the information TE provides on SVHC in articles for this part number is based on the latest European Chemicals Agency (ECHA) 'Guidance on requirements for substances in articles' posted at this URL: <https://echa.europa.eu/guidance-documents/guidance-on-reach>

## Compatible Parts



TE Part # CAT-AM74-UN384H  
AMP-LATCH UNIVERSAL HEADERS



TE Part # 2-111506-1  
026 UNIV I/O 30DP SLOT LTCH



TE Part # 2-1761607-9  
IDC LOW PRO HDR 26P RA LG LAT



TE Part # 5103310-6  
A/L LOW PRO HDR 26P RA BLACK



TE Part # 2-1761603-9  
IDC LOW PRO HDR 26P VERT BLUE



TE Part # 2-1761606-9  
IDC LOW PRO HDR 26P VERT LG LA



TE Part # 5103311-6  
A/L LOW PRO HDR 26P RA BLACK



TE Part # 5103309-6  
A/L LOW PRO HDR 26P VERT BLACK



TE Part # 5103308-6  
A/L LOW PRO HDR 26P VERT BLACK



TE Part # 1761606-9  
IDC LOW PRO HDR 26P VERT LG LA



TE Part # 1761607-9  
IDC LOW PRO HDR 26P RA LG LAT  
BLK



TE Part # 2-111446-0  
026 UNIV I/O 30DP NO EARS  
BLK



TE Part # 104130-5  
026 LOPRO HDR RA 30DP LATCH



TE Part # 1761681-9  
IDC LOW PRO HDR 26P VERT HT  
BLACK



TE Part # 1761686-9  
IDC LOW PRO HDR 26P VERT LG LAT



TE Part # 2-1761605-9  
IDC LOW PRO HDR 26P RA BLUE



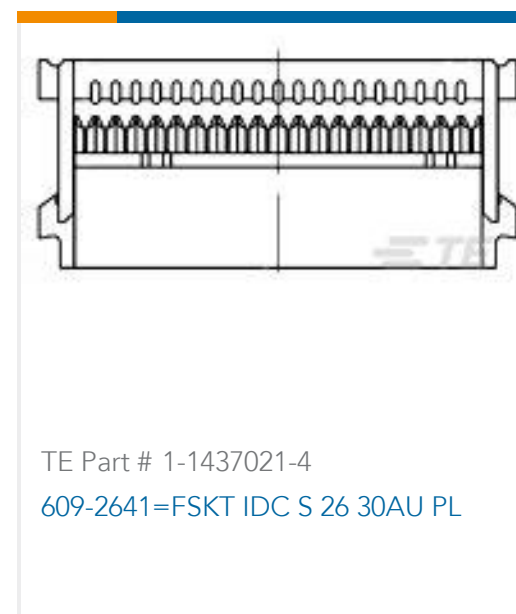
TE Part # 2-1761679-9  
IDC LOW PRO HDR 26P VERT BLUE



TE Part # 1761690-9  
IDC LOW PRO HDR 26P RA LG LAT



TE Part # 5104338-6  
A/L LOW PRO HDR 26P VERT HT



TE Part # 1-1437021-4  
609-2641=FSKT IDC S 26 30AU PL

## Customers Also Bought



TE Part #2-5499141-6  
A/L UNIV HDR 26P RA LG LAT BLUE



TE Part #1609989-6  
75BCF10=F8237



TE Part #2-1761606-9  
IDC LOW PRO HDR 26P VERT LG LA



TE Part #2-1761607-3  
IDC LOW PRO HDR 10P RA LG LAT



TE Part #3-640599-6  
06P MTA156 CONN ASSY 18AWG  
ORA



TE Part #1658525-1  
622-2653LF, PCB IDC, LEAD FREE



TE Part #2176414-2  
7W STD M/OX 5% 22R



TE Part #02560389-000  
LVDT HR 050 ASSY

## Documents

### Product Drawings

[609-2641LF FEM SOCKT,LEAD FREE](#)

English

### CAD Files

[3D PDF](#)

3D

Customer View Model

[ENG\\_CVM\\_CVM\\_1-1658526-6\\_C.2d\\_dxf.zip](#)

English

Customer View Model

[ENG\\_CVM\\_CVM\\_1-1658526-6\\_C.3d\\_igs.zip](#)

English

Customer View Model

[ENG\\_CVM\\_CVM\\_1-1658526-6\\_C.3d\\_stp.zip](#)

English

By downloading the CAD file I accept and agree to the [Terms and Conditions](#) of use.



**Datasheets & Catalog Pages**

**Ribbon Cable Interconnect Solutions**

English

---

**Instruction Sheets**

**Instruction Sheet (U.S.)**

English