

1658526-1 ✓ ACTIVE



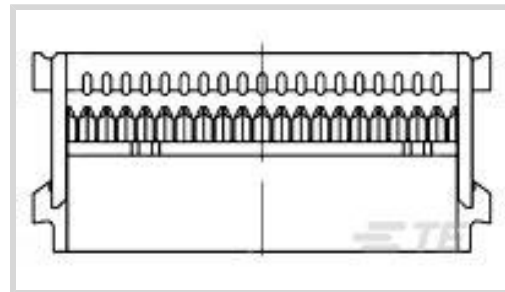
## AMP-LATCH

TE Internal #: 1658526-1

Ribbon Cable Connectors, Wire-to-Board, 6 Position, 2.54 mm [.1 in] Centerline, 2 Row, Receptacle, Polarization Mating Alignment Type, Wire & Cable

[View on TE.com >](#)

Connectors > PCB Connectors > Wire-to-Board Connectors > FFC, FPC & Ribbon Connectors > Ribbon Cable Connectors



Connector System: **Wire-to-Board**

Number of Positions: **6**

Centerline (Pitch): **2.54 mm [.1 in]**

Row-to-Row Spacing: **2.54 mm [.1 in]**

Number of Rows: **2**

### Features

#### Product Type Features

Connector Product Type	Connector Assembly
Connector System	Wire-to-Board
Connector & Housing Type	Receptacle
Connector & Contact Terminates To	Wire & Cable

#### Configuration Features

Number of Positions	6
Number of Rows	2

#### Body Features

Primary Product Color	Blue
-----------------------	------

#### Contact Features

Wire Contact Termination Area Plating Thickness	2.54 – 5.08 $\mu\text{m}$ [100 – 200 $\mu\text{in}$ ]
Wire Contact Termination Area Plating Material	Tin
	30 $\mu\text{in}$
Contact Mating Area Plating Material	Gold
Contact Current Rating (Max)	1 A

#### Termination Features

Rectangular Termination Post & Tail Thickness	.36 mm[.014 in]
Rectangular Termination Post & Tail Width	.46 mm[.018 in]



Termination Method to Wire &amp; Cable

Insulation Displacement (IDC)

### Mechanical Attachment

Mating Alignment Type

Polarization

Mating Retention

Without

Connector Mounting Type

Cable Mount (Free-Hanging)

### Housing Features

Centerline (Pitch)

2.54 mm [.1 in]

### Dimensions

Row-to-Row Spacing

2.54 mm [.1 in]

### Usage Conditions

Operating Temperature Range

-55 – 125 °C [-67 – 257 °F]

### Operation/Application

Circuit Application

Signal

## Product Compliance

For compliance documentation, visit the product page on [TE.com](#)>

EU RoHS Directive 2011/65/EU

Compliant

EU ELV Directive 2000/53/EC

Compliant

China RoHS 2 Directive MIIT Order No 32, 2016

No Restricted Materials Above Threshold

EU REACH Regulation (EC) No. 1907/2006

Current ECHA Candidate List: JUNE 2024 (241)  
 Candidate List Declared Against: JAN 2024 (240)  
 Does not contain REACH SVHC

Halogen Content

Not Low Halogen - contains Br or Cl &gt; 900 ppm.

Solder Process Capability

Not applicable for solder process capability

#### Product Compliance Disclaimer

This information is provided based on reasonable inquiry of our suppliers and represents our current actual knowledge based on the information they provided. This information is subject to change. The part numbers that TE has identified as EU RoHS compliant have a maximum concentration of 0.1% by weight in homogenous materials for lead, hexavalent chromium, mercury, PBB, PBDE, DBP, BBP, DEHP, DIBP, and 0.01% for cadmium, or qualify for an exemption to these limits as defined in the Annexes of Directive 2011/65/EU (RoHS2). Finished electrical and electronic equipment products will be CE marked as required by Directive 2011/65/EU. Components may not be CE marked. Additionally, the part numbers that TE has identified as EU ELV compliant have a maximum concentration of 0.1% by weight in homogenous materials for lead, hexavalent chromium, and mercury, and 0.01% for cadmium, or qualify for an exemption to these limits as defined in the Annexes of Directive 2000/53/EC (ELV). Regarding the REACH Regulation, the information TE provides

on SVHC in articles for this part number is based on the latest European Chemicals Agency (ECHA) 'Guidance on requirements for substances in articles' posted at this URL: <https://echa.europa.eu/guidance-documents/guidance-on-reach>

## Compatible Parts



TE Part # 1761681-1  
IDC LOW PRO HDR 6P VERT HT  
BLACK



TE Part # 2-1761603-1  
IDC LOW PRO HDR 6P VERT BLUE



TE Part # 2-1761605-1  
IDC LOW PRO HDR 6P RA BLUE



TE Part # 2-1761607-1  
IDC LOW PRO HDR 6P RA LG LAT B



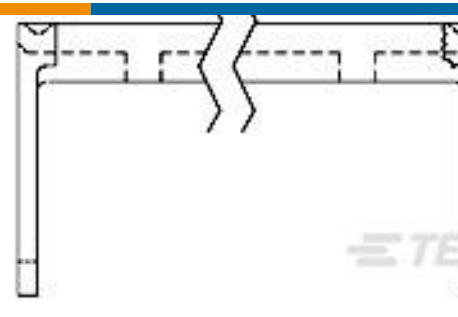
TE Part # 2-1761606-1  
IDC LOW PRO HDR 6P VERT LG LAT



TE Part # 2-1761608-1  
IDC LOW PRO HDR 6P VERT SHT LA



TE Part # 2-1761679-1  
IDC LOW PRO HDR 6P VERT BLUE



TE Part # 2-1437020-1  
609-0631=FSKT IDC S 06 SR



TE Part # 2-1761711-1  
IDC LOW PRO HDR 6P VERT LG LAT



TE Part # 2-1761713-1  
IDC LOW PRO HDR 6P VERT SHT LA

## Customers Also Bought




TE Part #1375820-4  
CST-100 II HOUSING 4 POS



TE Part #5-747908-2  
15 Plug Solder Cup, Gold Flash



TE Part #747784-3  
AMPLI JACKSCREW 4-40 KIT



TE Part #5205817-3  
FEMALE SCREWLOCK KIT



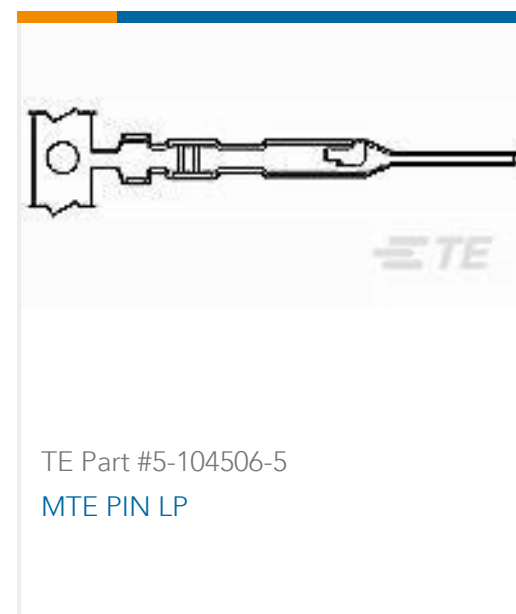
TE Part #770582-1  
14P MINI UMNL PLUG HSG



TE Part #926893-3  
UNIV.M-N-L.SOCKET



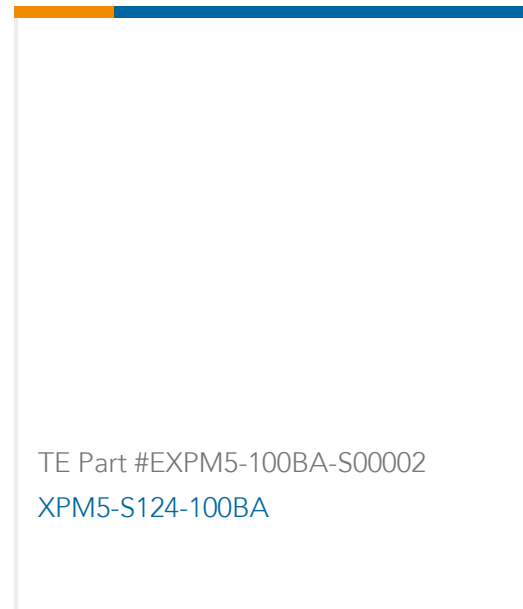
TE Part #1375819-2  
CST-100 II CONTACT 15 GOLD PLT



TE Part #5-104506-5  
MTE PIN LP



TE Part #2-1393122-0  
KHAU-17A11-120=KH



TE Part #EXPM5-100BA-S00002  
XPM5-S124-100BA

## Documents

### Product Drawings

[609-0630LF FEM SOCKT,LEAD FREE](#)

English

### CAD Files

[3D PDF](#)

3D

Customer View Model

[ENG\\_CVM\\_CVM\\_1658526-1\\_C.2d\\_dxf.zip](#)

English

Customer View Model

[ENG\\_CVM\\_CVM\\_1658526-1\\_C.3d\\_igs.zip](#)

English

Customer View Model

[ENG\\_CVM\\_CVM\\_1658526-1\\_C.3d\\_stp.zip](#)

English

By downloading the CAD file I accept and agree to the [Terms and Conditions](#) of use.

### Datasheets & Catalog Pages

[Ribbon Cable Interconnect Solutions](#)

English

### Instruction Sheets

[Instruction Sheet \(U.S.\)](#)

English