

60888-1 ✓ ACTIVE

AMP-IN

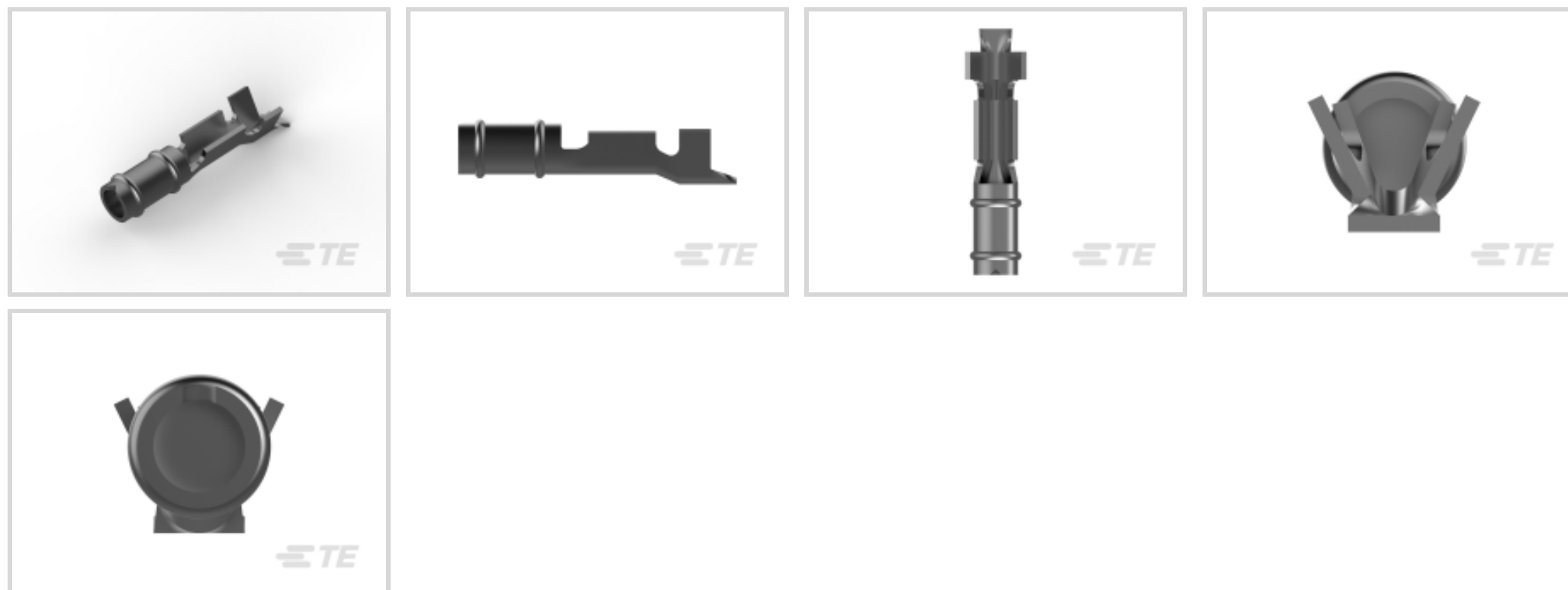
TE Internal #: 60888-1

Receptacle, PCB Hole Diameter 4.5 mm [.125 in], 26 – 22 AWG Wire Size, .12 – .4 mm² Wire Size, Through Hole - Solder, Pre-Tin Plating, PCB Terminals

[View on TE.com >](#)



Terminals & Splices > PCB Terminals



PCB Terminal Type: **Receptacle**

PCB Hole Diameter: **4.5 mm [.125 in]**

Mating Pin Diameter: **1.47 mm [.058 in]**

Compatible Insulation Diameter (Max): **1.65 mm [.065 in]**

Compatible Insulation Diameter Range: **.89 – 1.65 mm [.035 – .065 in]**

Features

Product Type Features

Terminal Features	Stud Hole
-------------------	-----------

Contact Features

PCB Terminal Type	Receptacle
Mating Pin Diameter	1.47 mm [.058 in]
Terminal Plating Material	Pre-Tin
Terminal Orientation	Straight

Termination Features

Termination Method to PCB	Through Hole - Solder
Product Terminates To	Wire & Cable

Mechanical Attachment

Wire Insulation Support	With
-------------------------	------

Dimensions

Terminal Material Thickness	.25 mm [.01 in]
-----------------------------	-----------------



PCB Hole Diameter	4.5 mm [.125 in]
Compatible Insulation Diameter (Max)	1.65 mm [.065 in]
Compatible Insulation Diameter Range	.89 – 1.65 mm [.035 – .065 in]
Wire Size	.12 – .4 mm ²

Usage Conditions

Insulation Option	Uninsulated
Operating Temperature Range	-55 – 105 °C [-67 – 221 °F]

Packaging Features

Packaging Quantity	15000
Packaging Method	Reel

Product Compliance

[For compliance documentation, visit the product page on TE.com>](#)

EU RoHS Directive 2011/65/EU	Compliant
EU ELV Directive 2000/53/EC	Compliant
China RoHS 2 Directive MIIT Order No 32, 2016	No Restricted Materials Above Threshold
EU REACH Regulation (EC) No. 1907/2006	Current ECHA Candidate List: JUNE 2024 (241) Candidate List Declared Against: JUNE 2024 (241) Does not contain REACH SVHC
Halogen Content	Low Halogen - Br, Cl, F, I < 900 ppm per homogenous material. Also BFR/CFR/PVC Free
Solder Process Capability	Not applicable for solder process capability

Product Compliance Disclaimer

This information is provided based on reasonable inquiry of our suppliers and represents our current actual knowledge based on the information they provided. This information is subject to change. The part numbers that TE has identified as EU RoHS compliant have a maximum concentration of 0.1% by weight in homogenous materials for lead, hexavalent chromium, mercury, PBB, PBDE, DBP, BBP, DEHP, DIBP, and 0.01% for cadmium, or qualify for an exemption to these limits as defined in the Annexes of Directive 2011/65/EU (RoHS2). Finished electrical and electronic equipment products will be CE marked as required by Directive 2011/65/EU. Components may not be CE marked. Additionally, the part numbers that TE has identified as EU ELV compliant have a maximum concentration of 0.1% by weight in homogenous materials for lead, hexavalent chromium, and mercury, and 0.01% for cadmium, or qualify for an exemption to these limits as defined in the Annexes of Directive 2000/53/EC (ELV). Regarding the REACH Regulation, the information TE provides on SVHC in articles for this part number is based on the latest European Chemicals Agency (ECHA) 'Guidance on requirements for substances in articles' posted at this URL: <https://echa.europa.eu/guidance-documents/guidance-on-reach>

Compatible Parts




TE Part # 60940-1
.058 PIN REC 24-20 010TPPHBZ



TE Part # 350393-1
058 PCB REC IP 010TPPHBZ



TE Part # 350189-1
.058 DIA RECPT PC R/A LP 26-22



TE Part # 61513-2
058 PC PIN REC 010TPPHBZ



TE Part # 2837608-1
OCEAN-2.0-APPLICATOR-S-055F070O-RSM



TE Part # 2837608-2
OCEAN-2.0-APPLICATOR-S-055F070O-RSA



TE Part # 350015-1
093 PIN REC 22-18 0125TPPHBZ



TE Part # 60804-1
.058 DIA RECPT AU/NI/PHBZ



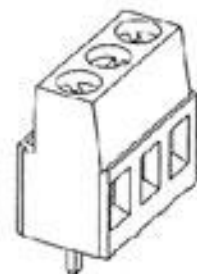
KIT
REPRESENTATION ONLY

TE Part # 7-2837608-7
OCEAN_2.0_SPARE_PART_KIT-055F070O

Customers Also Bought



TE Part #102348-2
MOD IV RECP LP



TE Part #282843-2
TERMI-BLOK PCB MOUNT 90 2P.1



TE Part #2176078-7
EP 1W 100R 5%



TE Part #2-2176331-6
CRGP 2512 1K2 1%



TE Part #69363
DAHT STRATO SOLIS 26-20 ASSY



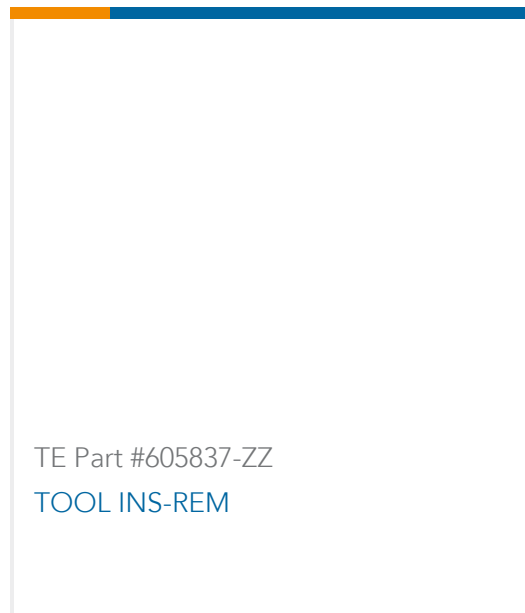
TE Part #890036-000
S1009-KIT-A



TE Part #62505-1
PIN 130 22-18 AWG .0157 X 1.020 BR



TE Part #YW326TZ11-23PB0000
PLUG ASSY. WILDCAT.Z/N.



Documents

Product Drawings

[058 PIN REC 26-22 .010PTPPHBZ](#)

English

CAD Files

[3D PDF](#)

3D

Customer View Model

[ENG_CVM_CVM_60888-1_AJ_c-60888-1-aj.2d_dxf.zip](#)

English

Customer View Model

[ENG_CVM_CVM_60888-1_AJ_c-60888-1-aj.3d_igs.zip](#)

English

Customer View Model

[ENG_CVM_CVM_60888-1_AJ_c-60888-1-aj.3d_stp.zip](#)

English

By downloading the CAD file I accept and agree to the [Terms and Conditions](#) of use.

Datasheets & Catalog Pages

[PRINTED CIRCUIT BOARD TERMINALS AND DISCONNECTS](#)

English

Product Specifications

[Application Specification](#)

English