

60812-1 ✓ ACTIVE

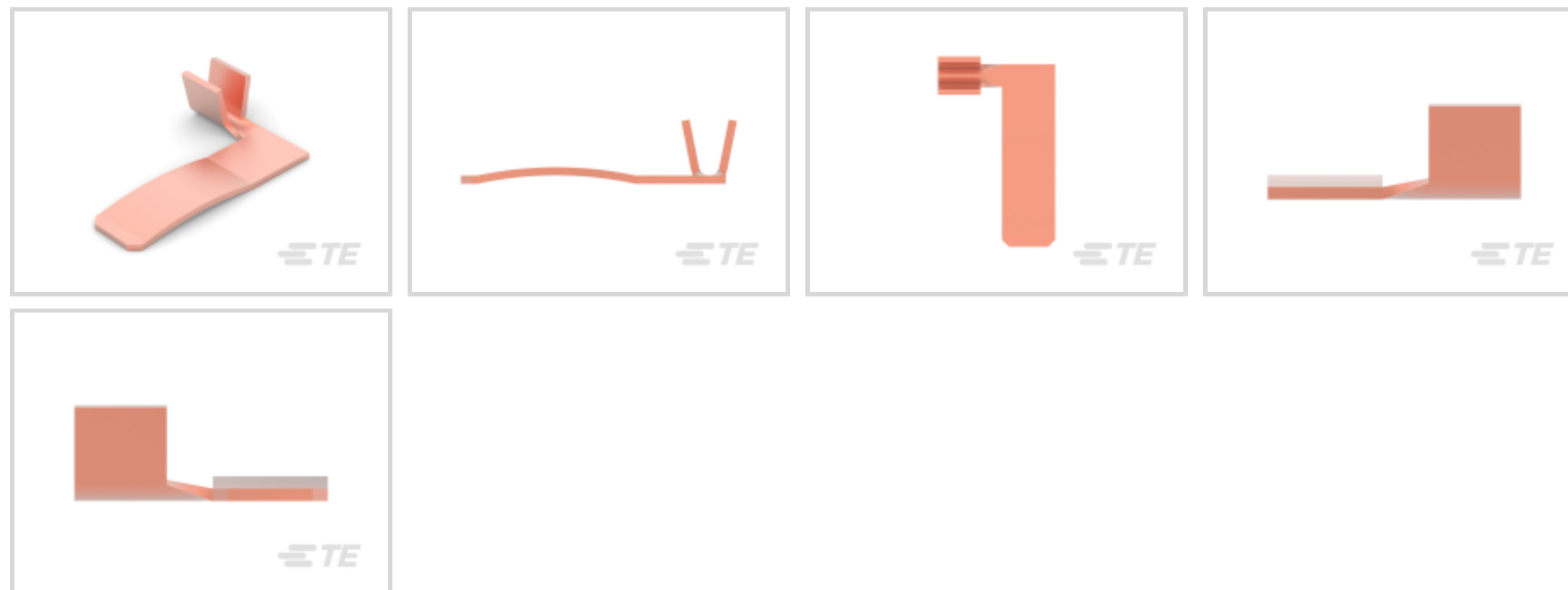
TE Internal #: 60812-1

Special Purpose Terminals, Brush, 18 – 14 AWG Wire Size, .8 – 2 mm² Wire Size, Unplated Plating, Length .435 in [11.05 mm], Reel, Flag

[View on TE.com >](#)



Terminals & Splices > Special Purpose Terminals



Special Purpose Terminal Type: **Brush**

Wire Size: **.8 – 2 mm²**

Terminal Material Thickness: **.51 mm [.02 in]**

Terminal Plating Material: **Unplated**

Features

Product Type Features

Wire Insulation Support Retention Type	Non-Insulation Support
Sealable	No

Configuration Features

Compatible With Wire & Cable Type	Discrete Wire
-----------------------------------	---------------

Contact Features

Barrel Type	Open
Special Purpose Terminal Type	Brush
Terminal Plating Material	Unplated
Terminal Orientation	Flag

Mechanical Attachment

Wire Insulation Support	Without
-------------------------	---------

Dimensions

Wire Size	.8 – 2 mm ²
Terminal Material Thickness	.51 mm [.02 in]
Product Length	11.05 mm [.435 in]

Usage Conditions

Insulation Option	Uninsulated
-------------------	-------------

Packaging Features

Packaging Quantity	3600
Packaging Method	Reel

Product Compliance

[For compliance documentation, visit the product page on TE.com>](#)

EU RoHS Directive 2011/65/EU	Compliant
EU ELV Directive 2000/53/EC	Compliant
China RoHS 2 Directive MIIT Order No 32, 2016	No Restricted Materials Above Threshold
EU REACH Regulation (EC) No. 1907/2006	Current ECHA Candidate List: JUNE 2024 (241) Candidate List Declared Against: JUNE 2024 (241) Does not contain REACH SVHC
Halogen Content	Low Halogen - Br, Cl, F, I < 900 ppm per homogenous material. Also BFR/CFR/PVC Free
Solder Process Capability	Not applicable for solder process capability

Product Compliance Disclaimer

This information is provided based on reasonable inquiry of our suppliers and represents our current actual knowledge based on the information they provided. This information is subject to change. The part numbers that TE has identified as EU RoHS compliant have a maximum concentration of 0.1% by weight in homogenous materials for lead, hexavalent chromium, mercury, PBB, PBDE, DBP, BBP, DEHP, DIBP, and 0.01% for cadmium, or qualify for an exemption to these limits as defined in the Annexes of Directive 2011/65/EU (RoHS2). Finished electrical and electronic equipment products will be CE marked as required by Directive 2011/65/EU. Components may not be CE marked. Additionally, the part numbers that TE has identified as EU ELV compliant have a maximum concentration of 0.1% by weight in homogenous materials for lead, hexavalent chromium, and mercury, and 0.01% for cadmium, or qualify for an exemption to these limits as defined in the Annexes of Directive 2000/53/EC (ELV). Regarding the REACH Regulation, the information TE provides on SVHC in articles for this part number is based on the latest European Chemicals Agency (ECHA) 'Guidance on requirements for substances in articles' posted at this URL: <https://echa.europa.eu/guidance-documents/guidance-on-reach>

Compatible Parts




TE Part # 62009-1
BRUSH CONTACT TAB 20-14 AWG
PHBZ



TE Part # 62008-1
BRUSH CONTACT TAB 20-14 AWG
PHBZ



TE Part # 1-150504-2
BUTTON CONTACT 20-16 .0158 X .
625 TPBR



TE Part # 170023-1
BUTTON CONTACT



TE Part # 2150878-1
OCEAN_2.0_Applicator-E-100F-SEM



TE Part # 2150878-2
OCEAN_2.0_Applicator-E-100F-SEA



TE Part # 63020-1
BRUSH TERMINAL 24-20 AWG BR



TE Part # 7-2150878-7
OCEAN_2.0_SPARE_PART_KIT-100F

Customers Also Bought



TE Part #5499910-4
AMP-LATCH UNIVERSAL HEADERS



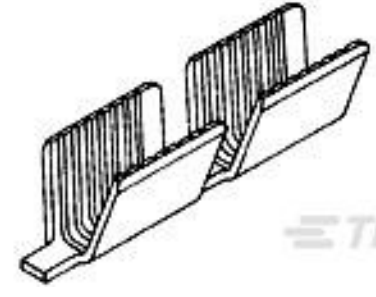
TE Part #66507-9
PIN CONTACT, 20 DF



TE Part #5535089-5
ASSEMBLY, RECEPTACLE, EUROCARD,
T



TE Part #1658621-6
26 NOVO MIL/CTR 15DP, LEAD FREE



TE Part #62001-1
SPLICE AMVAR 3000-7000 020BR




TE Part #3-520132-2
ULTRAFAST 250 ASSY FLAG REC 16-
14 TPBR



TE Part #2-520183-2
ULTRA-FAST 250 ASY REC 22-18 TPBR



TE Part #6-103168-5
34 MODII HDR DRST SHRD .100CL



TE Part #1742778-1
Grounding Clip, 24-20 AWG

Documents



Product Drawings

BRUSH CONTACT 18-14 AWG PHBZ

English

CAD Files

3D PDF

3D

Customer View Model

[ENG_CVM_CVM_60812-1_M.2d_dxf.zip](#)

English

Customer View Model

[ENG_CVM_CVM_60812-1_M.3d_igs.zip](#)

English

Customer View Model

[ENG_CVM_CVM_60812-1_M.3d_stp.zip](#)

English

By downloading the CAD file I accept and agree to the [Terms and Conditions](#) of use.