

605980-1 ✓ ACTIVE

TE Internal #: 605980-1

Fusion, Width 19.05 mm [.75 in], Length 9.144 m [30 ft], Black,

Product Thickness .51 mm [.02 in], Fusion Tape

[View on TE.com >](#)



Wire Protection & Management > Adhesives & Sealants > Fusion Tape



Tape Type: **Fusion**

Product Width: 19.05 mm [.75 in]

Product Length: 9.144 m [30 ft]

Primary Product Color: **Black**

Product Thickness: .51 mm [.02 in]

Features

Product Type Features

| | |
|---------------|--------|
| Tape Type | Fusion |
| Center Stripe | No |

Body Features

| | |
|-----------------------|-------------------|
| Material Features | Self-Amalgamating |
| Product Weight | 14.6 g |
| Primary Product Color | Black |

Dimensions

| | |
|-------------------|-------------------|
| Product Width | 19.05 mm [.75 in] |
| Product Length | 9.144 m [30 ft] |
| Product Thickness | .51 mm [.02 in] |

Packaging Features

| | |
|--------------------|------|
| Packaging Quantity | 1 |
| Packaging Method | Roll |

Product Compliance

[For compliance documentation, visit the product page on TE.com>](#)

| | |
|---|---|
| EU RoHS Directive 2011/65/EU | Compliant |
| EU ELV Directive 2000/53/EC | Compliant |
| China RoHS 2 Directive MIIT Order No 32, 2016 | No Restricted Materials Above Threshold |
| EU REACH Regulation (EC) No. 1907/2006 | Current ECHA Candidate List: JUNE 2024 (241) Candidate List Declared Against: JUNE 2024 (241) Does not contain REACH SVHC |
| Halogen Content | Low Halogen - Br, Cl, F, I < 900 ppm per homogenous material. Also BFR/CFR/PVC Free |
| Solder Process Capability | Not applicable for solder process capability |

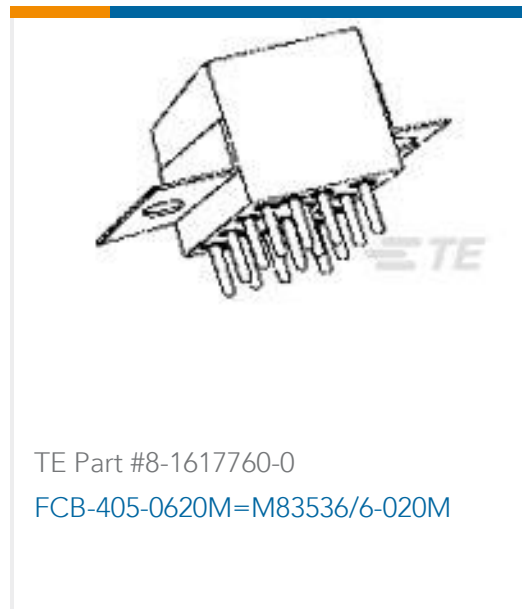
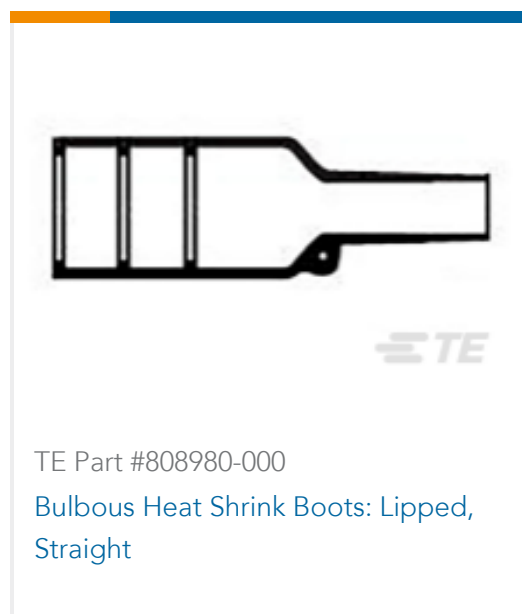
Product Compliance Disclaimer

This information is provided based on reasonable inquiry of our suppliers and represents our current actual knowledge based on the information they provided. This information is subject to change. The part numbers that TE has identified as EU RoHS compliant have a maximum concentration of 0.1% by weight in homogenous materials for lead, hexavalent chromium, mercury, PBB, PBDE, DBP, BBP, DEHP, DIBP, and 0.01% for cadmium, or qualify for an exemption to these limits as defined in the Annexes of Directive 2011/65/EU (RoHS2). Finished electrical and electronic equipment products will be CE marked as required by Directive 2011/65/EU. Components may not be CE marked. Additionally, the part numbers that TE has identified as EU ELV compliant have a maximum concentration of 0.1% by weight in homogenous materials for lead, hexavalent chromium, and mercury, and 0.01% for cadmium, or qualify for an exemption to these limits as defined in the Annexes of Directive 2000/53/EC (ELV). Regarding the REACH Regulation, the information TE provides on SVHC in articles for this part number is based on the latest European Chemicals Agency (ECHA) 'Guidance on requirements for substances in articles' posted at this URL: <https://echa.europa.eu/guidance-documents/guidance-on-reach>

Compatible Parts



Customers Also Bought



Documents

Product Drawings

FUSION TAPE, .75"X .020"X 30FT

English

CAD Files

3D PDF

3D

Customer View Model

[ENG_CVM_CVM_605980-1_O.2d_dxf.zip](#)

English

Customer View Model

[ENG_CVM_CVM_605980-1_O.3d_igs.zip](#)

English

Customer View Model

[ENG_CVM_CVM_605980-1_O.3d_stp.zip](#)

English

By downloading the CAD file I accept and agree to the [Terms and Conditions](#) of use.

Instruction Sheets

[Instruction Sheet \(U.S.\)](#)

English