

Component-to-wire connectors **FCI**

HPCS

2/3/4/5/6 way sealed female housings for 2.8 mm terminals

Features

- 2 to 6 position housing available
- Waterproof application with single wire seal
- Lateral secondary lock for terminal position assurance (T.P.A.)
- Circumferential interface seal
- Plastic locking feature
- Mechanical polarization
- Several codings available



Performance characteristics

- Temperature range: from -40°C to +120°C
- Contact retention force: > 80 N
- Contact insertion force: < 20 N
- Connector mating force: < 100 N

Construction

- Housing material: PBT
- Circumferential interface seal: Silicone

Tooling

- Terminal removal tool: Consult us
- Mini-applicator: Consult us

Connector compatibility

- Usable terminals: HPCS 2.8 mm female terminals

Part Numbers	No. of position	Terminal size	Colour
6 040 40 01	2	2.8 mm	Black
6 040 40 11	2	2.8 mm	Black
6 040 40 21	2	2.8 mm	Black
6 040 41 01	3	2.8 mm	Black
6 040 42 01	4	2.8 mm	Black
6 040 43 21	5	2.8 mm	Black
6 040 43 11	5	2.8 mm	Black
6 040 43 01	5	2.8 mm	Black
6 040 44 01	6	2.8 mm	Black

Component-to-wire connectors **FCI**

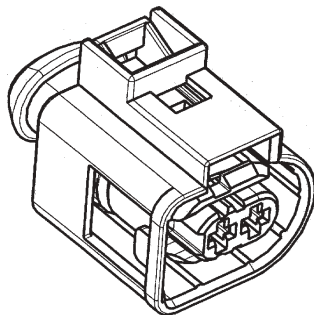
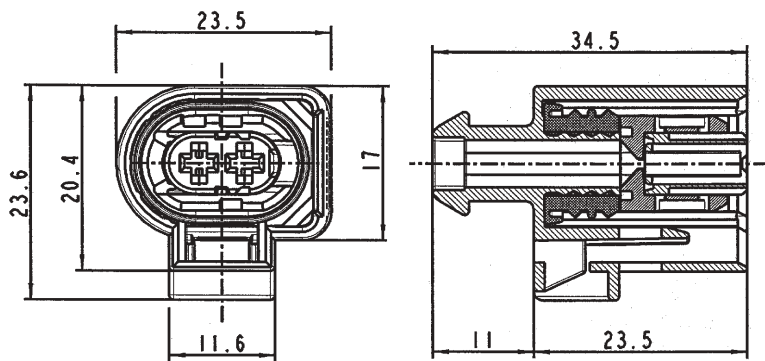
HPCS

2/3/4/5/6 way sealed female housings for 2.8 mm terminals

Dimensional characteristics

Notes:

2 way female housing



6 way female housing

