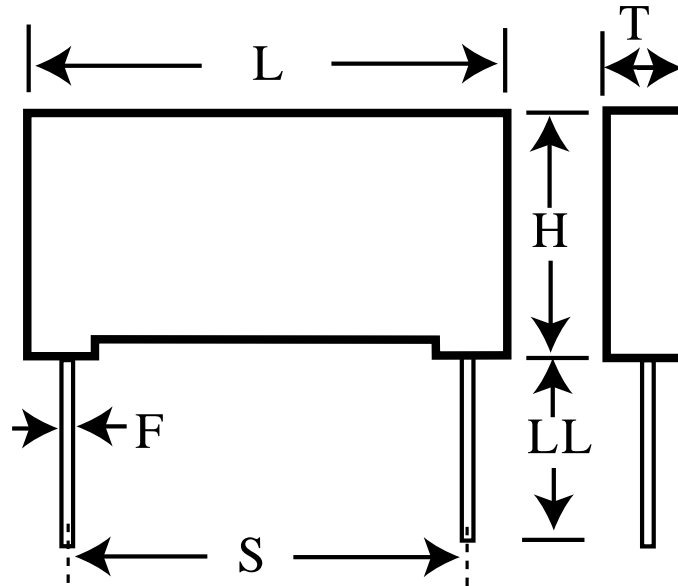


# R603N35604000J

aka 603N35604000J

Capacitor, film, 0.56 uF, +/-5% Tol, -55/+105C, AC General Purpose, 300VAC, Lead Spacing=22.5 mm



## Dimensions (mm)

ID	Dimension	Tolerance
L	26.5	+0.3
H	20	+0.1
T	11	+0.2
S	22.5	+/-0.4
LL	30	+5
F	0.8	+/-0.05

## Specifications

Manufacturer:	KEMET
Brand:	Arcotronics
Capacitance:	0.56 uF
Temperature Range:	-55/+105C
Rated Temperature:	85C
Voltage @ rated temp:	560V
Voltage AC:	300VAC
Tolerance:	+/-5%
Body Type:	Radial Box
Construction:	Stacked
Application:	AC General Purpose
Dielectric:	Metallized Polyester
Dissipation Factor @ 1 kHz:	1%
Dissipation Factor @ 10 kHz:	1.5%
Insulation Resistance:	17.86 GOhm
Inductance:	18 nH
Maximum dVdT:	200v/us
Maximum K0:	120000V^2/us
Package Kind:	Bulk
Package Type:	Bag
Package Quantity:	250