



RAYCHEM

TE Internal #: 6036953001

Hook Up Wire, Spec 99M, Operating Voltage 600 V, Tin-Plated

Copper, 22 AWG Wire Size, .33 mm² Wire Size, Operating

Temperature Range -55 – 120 °C

[View on TE.com >](#)

Wire & Cable > Hook Up Wire



Cable Type: **Spec 99M**

Operating Voltage: **600 V**

Wire & Cable Insulation Material: **Radiation-Crosslinked, Modified Polyester**

Conductor Material: **Tin-Plated Copper**

Wire Size: **22 AWG**

Features

Product Type Features

Cable Style	Primary
-------------	---------

Configuration Features

Number of Conductors	1
Number of Strands	19

Electrical Characteristics

Operating Voltage	600 V
-------------------	-------

Body Features

Wire & Cable Insulation Material	Radiation-Crosslinked, Modified Polyester
Conductor Material	Tin-Plated Copper
Wire Color (Base)	Yellow

Dimensions

Cable Insulation Thickness	.15 mm[.006 in]
Outside Cable Diameter	1.2 mm[.047 in]
Conductor Diameter Range	.79 mm[.031 in]
Strand Size	34 AWG
Wire Size	.33 mm ²

Usage Conditions



Cable Type	Spec 99M
Operating Temperature Range	-55 – 120 °C

Other

Product Source	UK
----------------	----

Product Compliance

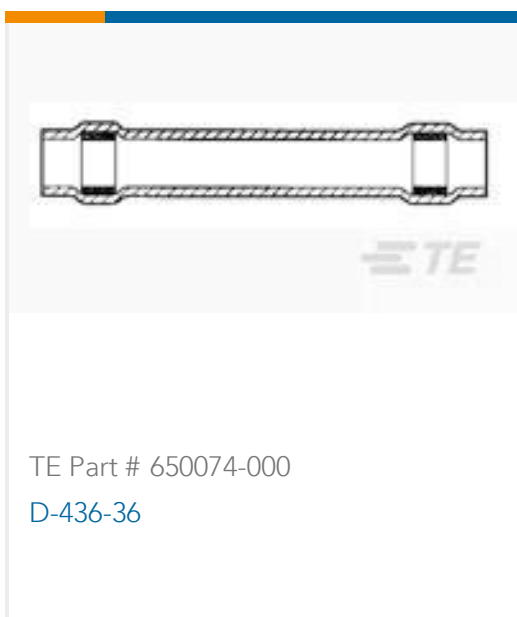
[For compliance documentation, visit the product page on TE.com>](#)

EU RoHS Directive 2011/65/EU	Compliant
EU ELV Directive 2000/53/EC	Compliant
China RoHS 2 Directive MIIT Order No 32, 2016	No Restricted Materials Above Threshold
EU REACH Regulation (EC) No. 1907/2006	Current ECHA Candidate List: JUNE 2023 (235) Candidate List Declared Against: JUNE 2023 (235) Does not contain REACH SVHC
Halogen Content	Out of Scope - excluded from Halogen requirements
Solder Process Capability	Not applicable for solder process capability

Product Compliance Disclaimer

This information is provided based on reasonable inquiry of our suppliers and represents our current actual knowledge based on the information they provided. This information is subject to change. The part numbers that TE has identified as EU RoHS compliant have a maximum concentration of 0.1% by weight in homogenous materials for lead, hexavalent chromium, mercury, PBB, PBDE, DBP, BBP, DEHP, DIBP, and 0.01% for cadmium, or qualify for an exemption to these limits as defined in the Annexes of Directive 2011/65/EU (RoHS2). Finished electrical and electronic equipment products will be CE marked as required by Directive 2011/65/EU. Components may not be CE marked. Additionally, the part numbers that TE has identified as EU ELV compliant have a maximum concentration of 0.1% by weight in homogenous materials for lead, hexavalent chromium, and mercury, and 0.01% for cadmium, or qualify for an exemption to these limits as defined in the Annexes of Directive 2000/53/EC (ELV). Regarding the REACH Regulation, the information TE provides on SVHC in articles for this part number is based on the latest European Chemicals Agency (ECHA) 'Guidance on requirements for substances in articles' posted at this URL: <https://echa.europa.eu/guidance-documents/guidance-on-reach>

Compatible Parts



Customers Also Bought



TE Part #1-794617-0
10POS, MICRO MNL, RCPT HSG



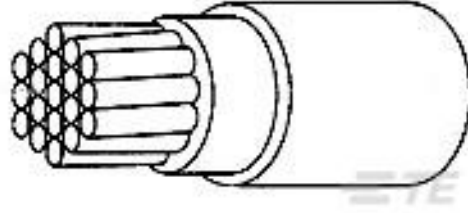
TE Part #1623096-1
CRG0805 1% 100R



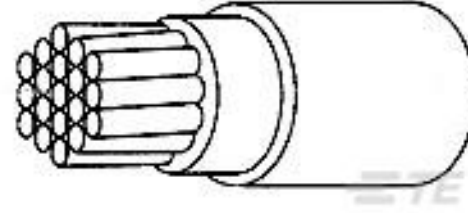
TE Part #9-1618389-8
LEV100A5ANG=RELAY, SPST, 24Vdc



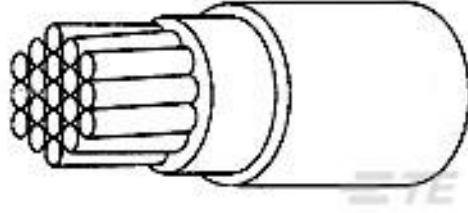
TE Part #2820393012
44A0111-22-9



TE Part #9242833001
99M0111-24-0



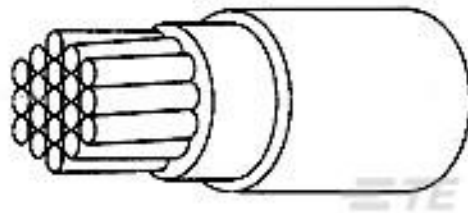
TE Part #7402913001
99M0111-22-0



TE Part #7308713001
99M0111-22-9



TE Part #1487588-1
USB, A-B, 28/24, WHITE, 2.0M



TE Part #7414773001
99M0111-22-1



TE Part #2108848-1
Ceramic patch antenna, L1+G1 & L2

Documents

Datasheets & Catalog Pages

[1654025_Sec9_Type99M](#)

English

[Raychem Wire and Cable Quick Reference Guide](#)

English