

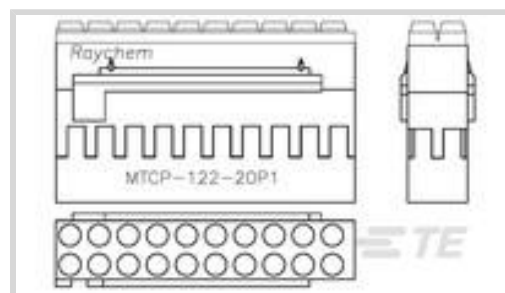
RAYCHEM

TE Internal #: 603431-000

Rectangular Contact Inserts, Insert for Contacts, Pin, Wire-to-Wire,
20 Position, Sealable, 22 – 20 AWG Wire Size, .34 – .5 mm² Wire
Size, 1.5 A

[View on TE.com >](#)

Connectors > Rectangular Connectors > Rectangular Contact Inserts

Rectangular Connector Insert Type: **Insert for Contacts**Contact Type: **Pin**Connector System: **Wire-to-Wire**Number of Positions: **20**Sealable: **Yes****Features****Product Type Features**

| | |
|-----------------------------------|---------------------|
| Connector & Contact Terminates To | Wire & Cable |
| Rectangular Connector Insert Type | Insert for Contacts |
| Connector System | Wire-to-Wire |
| Sealable | Yes |

Configuration Features

| | |
|---------------------|----|
| Number of Positions | 20 |
|---------------------|----|

Body Features

| | |
|--------------------------|--------------------------------------|
| Seal Type | Grommet Seal, Interfacial Seal |
| Primary Product Material | High Grade Polyarylene Thermoplastic |
| Primary Product Color | Black |

Contact Features

| | |
|------------------------------|-------|
| Contact Type | Pin |
| Contact Current Rating (Max) | 1.5 A |

Mechanical Attachment

| | |
|-------------------------|-------------|
| Polarization Code | A/B |
| Connector Mounting Type | Panel Mount |

Housing Features

| | |
|--------------------|-----------------|
| Centerline (Pitch) | 1.27 mm[.05 in] |
|--------------------|-----------------|



Dimensions

| | |
|-----------|--------------------------|
| Wire Size | .34 – .5 mm ² |
|-----------|--------------------------|

Usage Conditions

| | |
|-----------------------------|----------------------------|
| Operating Temperature Range | -65 – 125 °C[-85 – 257 °F] |
|-----------------------------|----------------------------|

Operation/Application

| | |
|--------------------------------------|------------|
| Compatible With Connector Shell Size | 50.8 [2.0] |
|--------------------------------------|------------|

Product Compliance

[For compliance documentation, visit the product page on TE.com>](#)

| | |
|---|--|
| EU RoHS Directive 2011/65/EU | Compliant |
| EU ELV Directive 2000/53/EC | Compliant |
| China RoHS 2 Directive MIIT Order No 32, 2016 | No Restricted Materials Above Threshold |
| EU REACH Regulation (EC) No. 1907/2006 | Current ECHA Candidate List: JUNE 2024 (241) Candidate List Declared Against: JAN 2024 (240) Does not contain REACH SVHC |
| Halogen Content | Not Yet Reviewed for halogen content |
| Solder Process Capability | Not applicable for solder process capability |

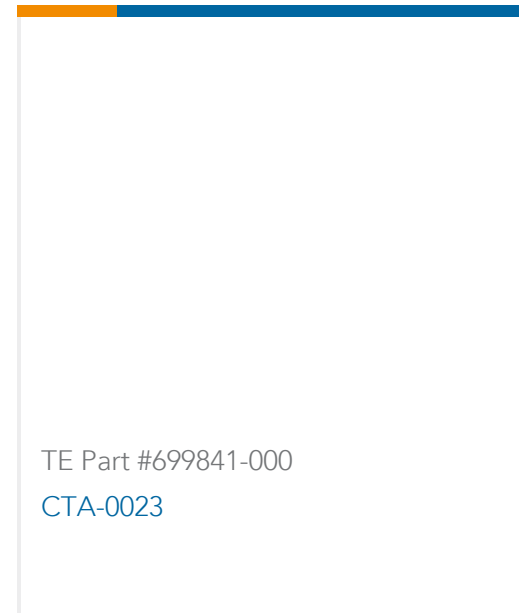
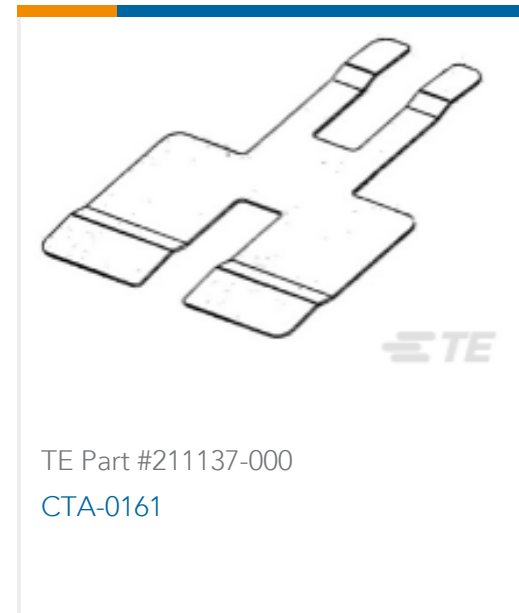
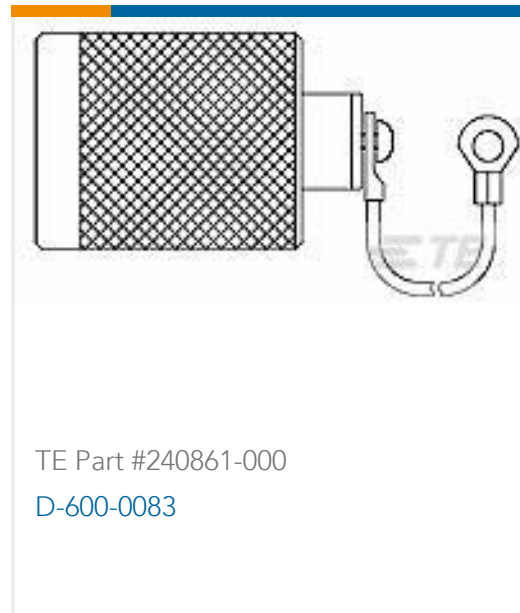
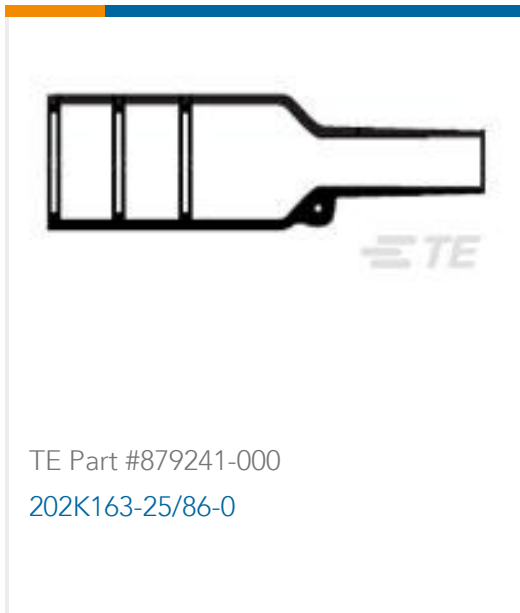
Product Compliance Disclaimer

This information is provided based on reasonable inquiry of our suppliers and represents our current actual knowledge based on the information they provided. This information is subject to change. The part numbers that TE has identified as EU RoHS compliant have a maximum concentration of 0.1% by weight in homogenous materials for lead, hexavalent chromium, mercury, PBB, PBDE, DBP, BBP, DEHP, DIBP, and 0.01% for cadmium, or qualify for an exemption to these limits as defined in the Annexes of Directive 2011/65/EU (RoHS2). Finished electrical and electronic equipment products will be CE marked as required by Directive 2011/65/EU. Components may not be CE marked. Additionally, the part numbers that TE has identified as EU ELV compliant have a maximum concentration of 0.1% by weight in homogenous materials for lead, hexavalent chromium, and mercury, and 0.01% for cadmium, or qualify for an exemption to these limits as defined in the Annexes of Directive 2000/53/EC (ELV). Regarding the REACH Regulation, the information TE provides on SVHC in articles for this part number is based on the latest European Chemicals Agency (ECHA) 'Guidance on requirements for substances in articles' posted at this URL: <https://echa.europa.eu/guidance-documents/guidance-on-reach>

Compatible Parts



Customers Also Bought



Documents

Product Drawings

[MTCP-122-20P1](#)

English

[MTCP-122-20P1](#)

English

CAD Files

[3D PDF](#)

[3D](#)



Customer View Model

[ENG_CVM_CVM_603431-000_B.2d_dxf.zip](#)

English

Customer View Model

[ENG_CVM_CVM_603431-000_B.3d_igs.zip](#)

English

Customer View Model

[ENG_CVM_CVM_603431-000_B.3d_stp.zip](#)

English

By downloading the CAD file I accept and agree to the [Terms and Conditions](#) of use.

Product Specifications

[MTC Connectors with Removable Contacts and Jackscrew Coupling Hardware](#)

English