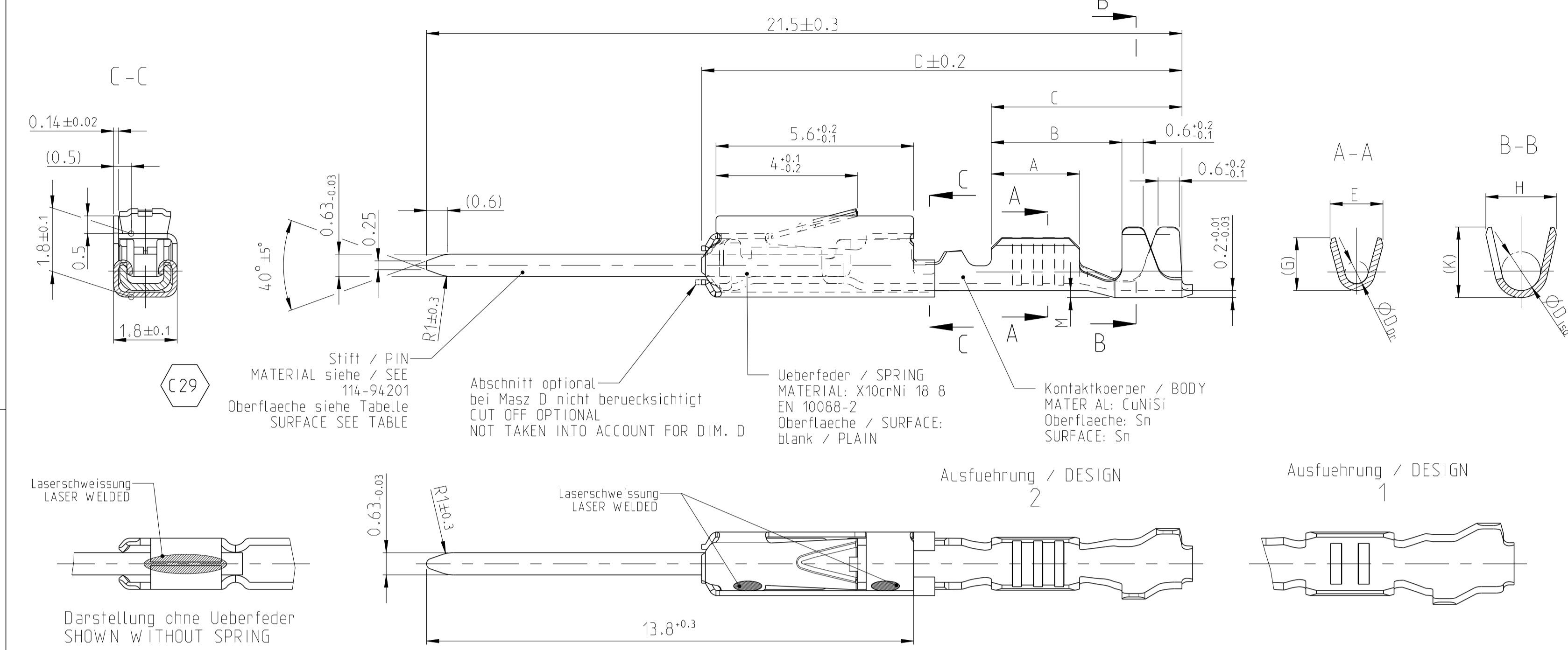
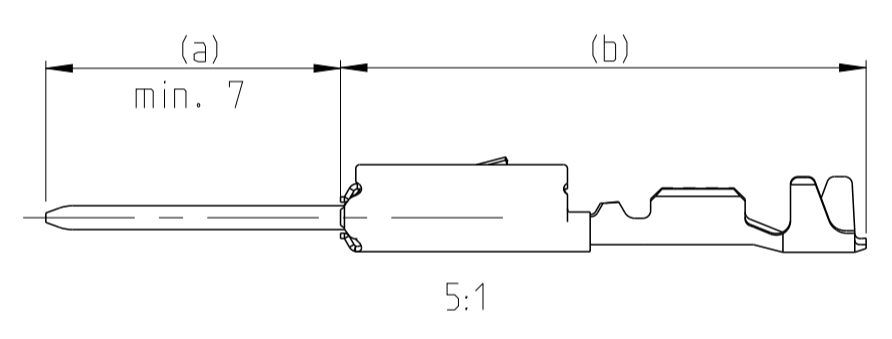


Normale Anwendung
USUAL APPLICATION



Oberflaeche / FINISH



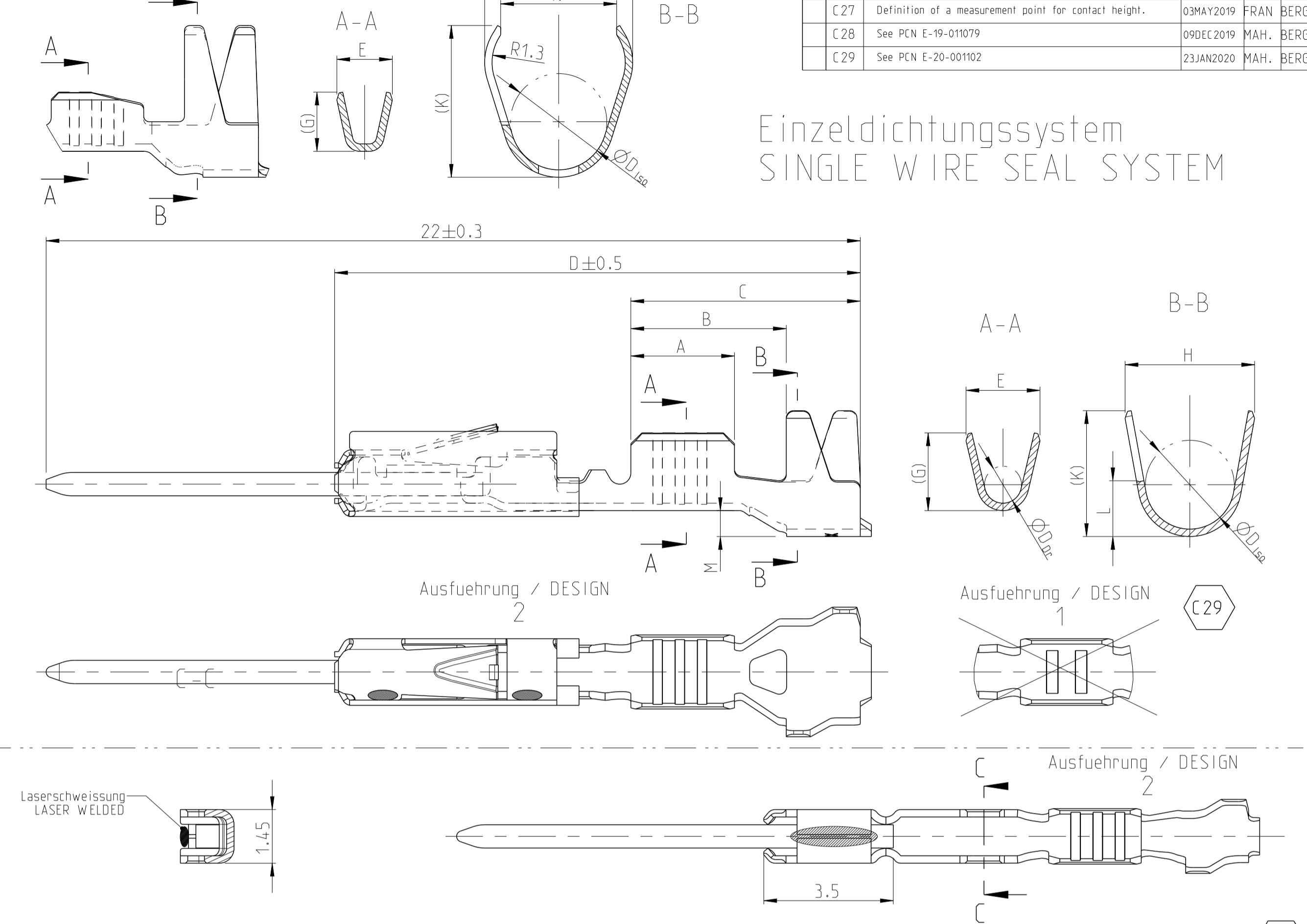
Sn: verzinnete Ausfuehrung
TINNED
(a) PIN: 0.8µm - 3.0µm Sn ueber/OVER 1.27µm - 3.0µm Ni
(b) Kontaktkoerper/BODY: 0.8µm - 2.0µm Sn

Ag: versilbert
SILVER
(a) PIN: 2.0µm - 6.0µm Ag
(b) Kontaktkoerper/BODY: 0.8µm - 2.0µm Sn

Au: vergoldet
GOLD
(a) PIN: min. 0.8µm Au ueber/OVER 1.0µm - 2.2µm Ni
(b) Kontaktkoerper/BODY: 0.8µm - 2.0µm Sn

Bestell-Nr. Ausfuehrung ORDER NO. DESIGN	Bestell-Nr. Ausfuehrung ORDER NO. DESIGN	Rev.	Bestell-Nr. Ausfuehrung ORDER NO. DESIGN	Rev.	Ueberfeder vorhanden SPRING AVAILABLE	VERSION	DGB Wire Size Range mm ²	Oberflaeche SURFACE	Laenge LENGTH mm	Drahtcrimp WIRE CRIMP mm	Iso-crimp INSU-CRIMP mm	Gewicht WEIGHT g	Verarbeitung Spez. APPLICATION SPEC.	DGB Wire Size Range mm ²	Isolations Ø INSULATION DIA. mm	fuer Kammer Ø3.45 FOR CAVITY DIA. 3.45 mm	Blindstopfen RUBBER PLUG	fuer Kammer Ø4 FOR CAVITY DIA. 4 mm	Blindstopfen RUBBER PLUG									
5-965908-3	A		ja / YES		ja / YES	Einzelichtungssystem SINGLE WIRE SEAL SYSTEM	0.50-0.75	Ag	A = 2.8 B = 4.2 C = 6.2 D = 14.3 M = 0.7	E = 2 G = 2.1 Dr = 1	H = 3.5 K = 3.4 L = 1.5 D _{ISO} = 2.4	0.18	0.75	1.4-1.9	967067-1 gruen GREEN	967056-1 blau / BLUE	963142-1 schwarz BLACK	963143-1 weiss / WHITE										
5-965908-2	F		ja / YES		Au				A = 2.5 B = 3.9 C = 5.9 D = 14 M = 0.7	E = 1.8 G = 1.8 Dr = 0.8	H = 3.5 K = 3.4 L = 1.5 D _{ISO} = 2.4								0.12	0.35	0.9-1.4	967067-2 gelb YELLOW	963142-2 grau GREY					
5-965908-1	D		ja / YES		Sn				A = 2.5 B = 4 C = 5.9 D = 13.9 M = 0.6	E = 1.5 G = 1.4	H = 4 K = 3.9 L = 3.1 D _{ISO} = 2.6								0.16	0.2	0.85-1.25	967067-2 gelb YELLOW	963142-2 grau GREY					
5-962886-3	A		ja / YES		ja / YES	normale Anwendung USUAL APPLICATION	0.25-0.35	Ag	A = 2.5 B = 3.9 C = 5.9 D = 14 M = 0.7	E = 1.8 G = 1.8 Dr = 0.8	H = 3.5 K = 3.4 L = 1.5 D _{ISO} = 2.4	0.16	0.35	0.9-1.4	967067-2 gelb YELLOW	967056-1 blau / BLUE	963142-2 grau GREY	963143-1 weiss / WHITE										
5-962886-2	R		ja / YES		Au				A = 2.5 B = 4 C = 5.9 D = 13.9 M = 0.6	E = 1.5 G = 1.4	H = 4 K = 3.9 L = 3.1 D _{ISO} = 2.6								0.15	0.13	0.85-1.25	967067-2 gelb YELLOW	963142-2 grau GREY					
5-962886-1	N		ja / YES		Sn				A = 2.5 B = 3.9 C = 5.9 D = 13.65 M = 0.2	E = 2 G = 2.1 Dr = 1	H = 2.7 K = 2.9 L = 0.7 D _{ISO} = 1.6								0.17	0.17								
2141830-3	A		ja / YES		ja / YES	normale Anwendung USUAL APPLICATION	0.13/0.17	Ag	A = 2.5 B = 3.9 C = 5.9 D = 13.65 M = 0.2	E = 1.8 G = 1.8 Dr = 0.8	H = 2.3 K = 2.3 L = 0.6 D _{ISO} = 1.4	0.16	0.13	0.85-1.25	967067-2 gelb YELLOW	967056-1 blau / BLUE	963142-2 grau GREY	963143-1 weiss / WHITE										
2141830-2	A		ja / YES		Au				A = 2.5 B = 3.7 C = 5.4 D = 13.65 M = 0	E = 1.5 G = 1.4	H = 2 K = 1.9 D _{ISO} = 1.1								0.15	0.17								
2141830-1	A		ja / YES		Sn				A = 2.5 B = 3.7 C = 5.4 D = 13.65 M = 0	E = 1.5 G = 1.5 Dr = 0.65	H = 2 K = 2 D _{ISO} = 1.1								0.15	0.15								
6-963716-1	A		nein / NO		nein / NO	normale Anwendung USUAL APPLICATION	0.50-0.75	Au	A = 2.8 B = 3.8 C = 5.6 D = 13.65 M = 0.2	E = 2 G = 2.1 Dr = 1	H = 2.7 K = 2.9 L = 0.7 D _{ISO} = 1.6	0.12	0.75	1.4-1.9	967067-1 gruen GREEN	967056-1 blau / BLUE	963142-1 schwarz BLACK	963143-1 weiss / WHITE										
6-963716-2	A		nein / NO		Ag				A = 2.5 B = 3.6 C = 5.6 D = 13.65 M = 0.2	E = 1.8 G = 1.8 Dr = 0.8	H = 2.3 K = 2.3 L = 0.6 D _{ISO} = 1.4								0.17	0.35	0.9-1.4	967067-2 gelb YELLOW	963142-2 grau GREY					
5-963716-3	A		ja / YES		Sn				A = 2.5 B = 3.6 C = 5.6 D = 13.65 M = 0.2	E = 1.8 G = 1.8 Dr = 0.8	H = 2.3 K = 2.3 L = 0.6 D _{ISO} = 1.4								0.16	0.2	0.85-1.25	967067-2 gelb YELLOW	963142-2 grau GREY					
5-963716-2	Z		ja / YES		ja / YES	normale Anwendung USUAL APPLICATION	0.25-0.35	Ag	A = 2.5 B = 3.6 C = 5.6 D = 13.65 M = 0.2	E = 1.8 G = 1.8 Dr = 0.8	H = 2.3 K = 2.3 L = 0.6 D _{ISO} = 1.4	0.16	0.13	0.85-1.25	967067-2 gelb YELLOW	967056-1 blau / BLUE	963142-2 grau GREY	963143-1 weiss / WHITE										
5-963716-1	W		ja / YES		Au				A = 2.5 B = 3.6 C = 5.6 D = 13.65 M = 0.2	E = 1.8 G = 1.8 Dr = 0.8	H = 2.3 K = 2.3 L = 0.6 D _{ISO} = 1.4								0.12	0.17								
6-928918-3	A		ja / YES		ja / YES				normale Anwendung USUAL APPLICATION	0.13/0.17	Ag								A = 2.5 B = 3.6 C = 5.6 D = 13.65 M = 0.2	E = 1.8 G = 1.8 Dr = 0.8	H = 2.3 K = 2.3 L = 0.6 D _{ISO} = 1.4	0.16	0.13	0.85-1.25	967067-2 gelb YELLOW	967056-1 blau / BLUE	963142-2 grau GREY	963143-1 weiss / WHITE
6-928918-2	Z		ja / YES		Au	A = 2.5 B = 3.6 C = 5.6 D = 13.65 M = 0.2	E = 1.8 G = 1.8 Dr = 0.8	H = 2.3 K = 2.3 L = 0.6 D _{ISO} = 1.4				0.12	0.17															
6-928918-1	W		ja / YES		ja / YES	normale Anwendung USUAL APPLICATION	0.08-0.22	Au				A = 2.5 B = 3.6 C = 5.6 D = 13.65 M = 0.2	E = 1.8 G = 1.8 Dr = 0.8	H = 2.3 K = 2.3 L = 0.6 D _{ISO} = 1.4	0.16	0.13	0.85-1.25	967067-2 gelb YELLOW	967056-1 blau / BLUE	963142-2 grau GREY	963143-1 weiss / WHITE							
5-928918-2	A		nein / NO		Sn				A = 2.5 B = 3.6 C = 5.6 D = 13.65 M = 0.2	E = 1.8 G = 1.8 Dr = 0.8	H = 2.3 K = 2.3 L = 0.6 D _{ISO} = 1.4	0.15	0.17															
5-928918-1	W		nein / NO		ja / YES				normale Anwendung USUAL APPLICATION	0.08-0.22	Au	A = 2.5 B = 3.6 C = 5.6 D = 13.65 M = 0.2	E = 1.8 G = 1.8 Dr = 0.8	H = 2.3 K = 2.3 L = 0.6 D _{ISO} = 1.4								0.16	0.13	0.85-1.25	967067-2 gelb YELLOW	967056-1 blau / BLUE	963142-2 grau GREY	963143-1 weiss / WHITE
2141828-3	A		ja / YES		ja / YES	normale Anwendung USUAL APPLICATION	0.08-0.22	Au				A = 2.5 B = 3.6 C = 5.6 D = 13.65 M = 0.2	E = 1.8 G = 1.8 Dr = 0.8	H = 2.3 K = 2.3 L = 0.6 D _{ISO} = 1.4	0.16	0.13	0.85-1.25	967067-2 gelb YELLOW	967056-1 blau / BLUE	963142-2 grau GREY	963143-1 weiss / WHITE							
2141828-2	A		ja / YES		ja / YES							normale Anwendung USUAL APPLICATION	0.08-0.22	Au														
2141828-1	A		ja / YES		ja / YES				normale Anwendung USUAL APPLICATION	0.08-0.22	Au											A = 2.5 B = 3.6 C = 5.6 D = 13.65 M = 0.2	E = 1.8 G = 1.8 Dr = 0.8	H = 2.3 K = 2.3 L = 0.6 D _{ISO} = 1.4	0.16	0.13	0.85-1.25	967067-2 gelb YELLOW
1355719-3	A		ja / YES		ja / YES	normale Anwendung USUAL APPLICATION	0.08-0.22	Au							A = 2.5 B = 3.6 C = 5.6 D = 13.65 M = 0.2	E = 1.8 G = 1.8 Dr = 0.8	H = 2.3 K = 2.3 L = 0.6 D _{ISO} = 1.4	0.16	0.13	0.85-1.25	967067-2 gelb YELLOW	967056-1 blau / BLUE	963142-2 grau GREY	963143-1 weiss / WHITE				
1355719-2	A		ja / YES		ja / YES							normale Anwendung USUAL APPLICATION	0.08-0.22	Au	A = 2.5 B = 3.6 C = 5.6 D = 13.65 M = 0.2	E = 1.8 G = 1.8 Dr = 0.8	H = 2.3 K = 2.3 L = 0.6 D _{ISO} = 1.4											
1355719-1	C		ja / YES		ja / YES				normale Anwendung USUAL APPLICATION	0.08-0.22	Au				A = 2.5 B = 3.6 C = 5.6 D = 13.65 M = 0.2	E = 1.8 G = 1.8 Dr = 0.8	H = 2.3 K = 2.3 L = 0.6 D _{ISO} = 1.4								0.16	0.13	0.85-1.25	967067-2 gelb YELLOW

Ausfuehrung / DESIGN



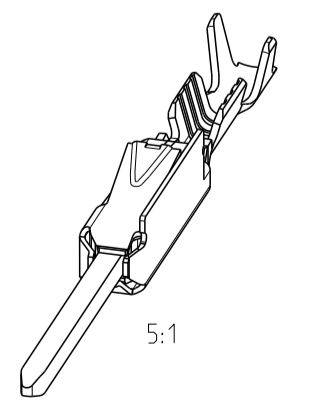
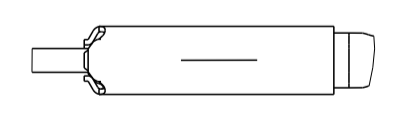
Ausfuehrung ohne Ueberfeder
nur fuer umspritzte Anwendungen
WITHOUT SPRING
ONLY FOR OVERMOLDING

LOC	DIST	REV	DATE	BY	APPV
A1	-	1	09JAN2019	MAH. BERG	
		2	03MAY2019	FRAN. BERG	
		3	09DEC2019	MAH. BERG	
		4	23JAN2020	MAH. BERG	

Einzelichtungssystem
SINGLE WIRE SEAL SYSTEM

NOTES

- Bemerkungen
- Datumcode (Woche/Jahr z.B. KW 38/Jahr2009) und TE-Revision (z.B. Rev. A) DATE CODE (WEEK/YEAR E.G. WEEK NUMBER 38/YEAR2009) AND TE REVISION (E.G. REV. A)
 - Passend zu Buchsenkontakt siehe Zeichnung 929454 SUITABLE FOR SOCKET CONTACT SEE DRAWING 929454
 - Einzelheiten der Ausfuehrung bleiben dem Hersteller ueberlassen DETAILS OF DESIGN ARE LEFT TO MANUFACTURER
 - Nur fuer FLR-Leitung nach DIN 72551 Teil 6 FOR FLR-CONDUCTOR ACCORDING TO DIN 72551-6 ONLY
 - nicht fuer Neuanwendung NOT FOR NEW APPLICATION
 - zugverstaerkte Leitung nach LV 112-4 REINFORCED WIRE ACCORDING LV 112-4
 - Bei doppelt fallenden Werkzeugen wird die erste Ueberfeder mit einer Kennzeichnung "-" versehen WITH DOUBLE CUT DIES THE FIRST SPRING WILL BE PROVIDED WITH AN INDICATION "-"
 - Varianten von Design1 werden durch die entsprechenden Versionen von Design2 ersetzt VARIANTS OF DESIGN1 ARE SUPERSEDED BY CORRESPONDING VERSIONS OF DESIGN2



THIS DRAWING IS A CONTROLLED DOCUMENT.		OWN: S. Garcia 06JAN1999		TE Connectivity	
DIMENSIONS: mm		CHK: R. Jetter 06JAN1999		NAME: MQS Tabellenzeichnung Stiftkontakt TABLE PIN CONTACT	
TOLERANCES UNLESS OTHERWISE SPECIFIED:		APPV: M. Bleicher 13AUG2003	SIZE: 108-18030 APPLICATION SPEC		
		WEIGHT: 114-18021 / -18025		RESTRICTED TO: A1 00779 ©=929453	
MATERIAL: -		CUSTOMER DRAWING		SCALE: 10:1 SHEET: 1 OF 1 REV: C29	