

6-786862-5 ✓ ACTIVE

AMPLIMITE | AMPLIMITE 0.50 Series

TE Internal #: 6-786862-5

IDC D-Sub Connectors, Receptacle, 30 – 28 AWG Solid Wire Size, .

05 – .1 mm² Solid Wire Size, Cable-to-Panel, 50 Position,

AMPLIMITE 0.50 Series

[View on TE.com >](#)



Connectors > D-Shaped Connectors > D-Sub Connectors > IDC D-Sub Connectors > IDC D-Sub: Receptacle Kit, Panel Mount, Signal, 1.27 mm



Connector & Housing Type: **Receptacle**

Solid Wire Size: **.05 – .1 mm²**

Shielded: **No**

Connector System: **Cable-to-Panel**

[All IDC D-Sub: Receptacle Kit, Panel Mount, Signal, 1.27 mm \(6\)](#)

Features

Product Type Features

Connector & Housing Type	Receptacle
Connector System	Cable-to-Panel
Connector Product Type	Connector Kit
Connector & Contact Terminates To	Wire & Cable

Configuration Features

Number of Positions	50
Number of Rows	2
Compatible With Wire & Cable Type	Flat Ribbon Cable, Round Jacketed Cable

Body Features

Cover Material	Polyester
Ribbon Cable Centerline Spacing	.64 mm[.025 in]
Shell Plating Material	Nickel over Copper
Primary Product Color	Black

Contact Features

Wire Contact Termination Area Plating Material	Tin
	30 μin
Contact Mating Area Plating Material	Gold or Gold Flash over Palladium Nickel



Contact Underplating Material	Nickel, Palladium Nickel
-------------------------------	--------------------------

Contact Base Material	Phosphor Bronze
-----------------------	-----------------

Contact Current Rating (Max)	1 A
------------------------------	-----

Termination Features

Termination Cover Method	Assembled
--------------------------	-----------

Termination Cover	With
-------------------	------

Termination Cover Type	Non Lacing
------------------------	------------

Termination Method to Wire & Cable	Insulation Displacement (IDC)
------------------------------------	-------------------------------

Mechanical Attachment

Mounting Feature Plating Material	Nickel over Copper
-----------------------------------	--------------------

Mounting Feature Material	Zinc
---------------------------	------

Mating Retention	With
------------------	------

Mating Retention Type	Latch Blocks
-----------------------	--------------

Thread Size	2-56 UNC
-------------	----------

Connector Mounting Type	Panel Mount
-------------------------	-------------

Housing Features

Shell Material	Carbon Steel
----------------	--------------

Housing Material	Polyester
------------------	-----------

Centerline (Pitch)	1.27 mm[.05 in]
--------------------	-----------------

Dimensions

Compatible Insulation Diameter (Max)	.79 mm
--------------------------------------	--------

Compatible Insulation Diameter Range	.74 – .79 mm[.029 – .031 in]
--------------------------------------	------------------------------

Solid Wire Size	.05 – .1 mm ²
-----------------	--------------------------

Wire Size	.05 – .09 mm ²
-----------	---------------------------

Usage Conditions

Operating Temperature Range	-55 – 105 °C[-67 – 221 °F]
-----------------------------	----------------------------

Operation/Application

Shielded	No
----------	----

Circuit Application	Signal
---------------------	--------

Industry Standards

UL Flammability Rating	UL 94V-0
------------------------	----------

Packaging Features



Packaging Quantity	10
Packaging Method	Kit

Product Compliance

[For compliance documentation, visit the product page on TE.com>](#)

EU RoHS Directive 2011/65/EU	Compliant
EU ELV Directive 2000/53/EC	Compliant
China RoHS 2 Directive MIIT Order No 32, 2016	No Restricted Materials Above Threshold
EU REACH Regulation (EC) No. 1907/2006	Current ECHA Candidate List: JUNE 2023 (235) Candidate List Declared Against: JUNE 2023 (235) Does not contain REACH SVHC
Halogen Content	Not Low Halogen - contains Br or Cl > 900 ppm.
Solder Process Capability	Not applicable for solder process capability

Product Compliance Disclaimer

This information is provided based on reasonable inquiry of our suppliers and represents our current actual knowledge based on the information they provided. This information is subject to change. The part numbers that TE has identified as EU RoHS compliant have a maximum concentration of 0.1% by weight in homogenous materials for lead, hexavalent chromium, mercury, PBB, PBDE, DBP, BBP, DEHP, DIBP, and 0.01% for cadmium, or qualify for an exemption to these limits as defined in the Annexes of Directive 2011/65/EU (RoHS2). Finished electrical and electronic equipment products will be CE marked as required by Directive 2011/65/EU. Components may not be CE marked. Additionally, the part numbers that TE has identified as EU ELV compliant have a maximum concentration of 0.1% by weight in homogenous materials for lead, hexavalent chromium, and mercury, and 0.01% for cadmium, or qualify for an exemption to these limits as defined in the Annexes of Directive 2000/53/EC (ELV). Regarding the REACH Regulations, TE's information on SVHC in articles for this part number is still based on the European Chemical Agency (ECHA) 'Guidance on requirements for substances in articles' (Version: 2, April 2011), applying the 0.1% weight on weight concentration threshold at the finished product level. TE is aware of the European Court of Justice ruling of September 10th, 2015 also known as O5A (Once An Article Always An Article) stating that, in case of 'complex object', the threshold for a SVHC must be applied to both the product as a whole and simultaneously to each of the articles forming part of its composition. TE has evaluated this ruling based on the new ECHA "Guidance on requirements for substances in articles" (June 2017, version 4.0) and will be updating its statements accordingly.

Compatible Parts






TE Part # 5749193-1
50 50SR KIT, ST, UK



TE Part # 5749080-1
50 50SR BSHLL KIT, M/J-SCR



TE Part # 5749193-2
50 50SR KIT, ST, UK



TE Part # 749087-1
50SR SCREWLOCK KIT, FEMALE



TE Part # 749087-2
50SR SCREWLOCK KIT, FEMALE



TE Part # 749087-4
50SR SCREWLOCK KIT, FEMALE



TE Part # 5749889-3
50 50SR KIT, ST, UK



TE Part # 5390377-5
50 POS A/P PLUG 25 CL 30AU



TE Part # 5749210-5
50 50SR CABLE RCPT ASSY



TE Part # 749087-3
50SR SCREWLOCK KIT, FEMALE




TE Part # 786585-3
50SR SCREWLOCK KIT, BULK, FEMAL




TE Part # 5-749611-5
50 50SR PANEL MOUNT RCPT, ROHS


Also in the Series | **AMPLIMITE 0.50 Series**



Connector Backshells(31)




Connector Caps & Covers(21)



Connector Hardware(7)



IDC D-Sub Connectors(66)

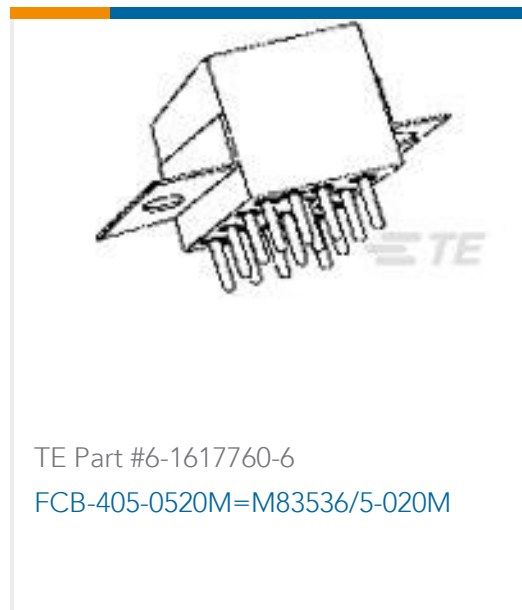


Insertion & Extraction Tools(1)



PCB D-Sub Connectors(172)

Customers Also Bought



Documents

Product Drawings

[50 50SR PANEL MOUNT RCPT S/A, ROHS](#)

English

CAD Files

[3D PDF](#)

3D

Customer View Model

[ENG_CVM_CVM_6-786862-5_A.2d_dxf.zip](#)

English

Customer View Model

[ENG_CVM_CVM_6-786862-5_A.3d_igs.zip](#)

English

Customer View Model

[ENG_CVM_CVM_6-786862-5_A.3d_stp.zip](#)

English

By downloading the CAD file I accept and agree to the [Terms and Conditions](#) of use.

Datasheets & Catalog Pages

[AMPLIMITE Subminiature D Connectors - .050 Series Connector](#)

English

[AMPLIMITE .050 Series D-sub Connectors QRG](#)

English

Product Specifications

[Application Specification](#)

English



Agency Approvals

UL

English