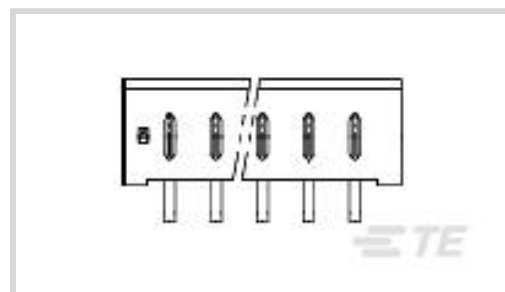




Connectors > PCB Connectors > Battery Connectors & Holders > DC Jack Connectors



Connector System: **Board-to-Board**

Number of Positions: **6**

Centerline (Pitch): **2.5 mm**

Connector & Housing Type: **Plug**

Operating Voltage: **30 VDC**

## Features

### Product Type Features

Connector System	Board-to-Board
Connector & Housing Type	Plug
Connector & Contact Terminates To	Printed Circuit Board

### Configuration Features

Number of Positions	6
---------------------	---

### Electrical Characteristics

Operating Voltage	30 VDC
-------------------	--------

### Contact Features

Contact Current Rating (Max)	1 A
------------------------------	-----

### Housing Features

Centerline (Pitch)	2.5 mm
--------------------	--------

### Operation/Application

Circuit Application	Power & Signal
---------------------	----------------

## Product Compliance

[For compliance documentation, visit the product page on TE.com>](#)

EU RoHS Directive 2011/65/EU	Compliant
EU ELV Directive 2000/53/EC	Compliant
China RoHS 2 Directive MIIT Order No 32, 2016	No Restricted Materials Above Threshold



EU REACH Regulation (EC) No. 1907/2006

Current ECHA Candidate List: JUNE 2023 (235)

Candidate List Declared Against: JUNE 2023 (235)

Does not contain REACH SVHC

Halogen Content

Not Low Halogen - contains Br or Cl > 900 ppm.

Solder Process Capability

Wave solder capable to 265°C

Product Compliance Disclaimer

This information is provided based on reasonable inquiry of our suppliers and represents our current actual knowledge based on the information they provided. This information is subject to change. The part numbers that TE has identified as EU RoHS compliant have a maximum concentration of 0.1% by weight in homogenous materials for lead, hexavalent chromium, mercury, PBB, PBDE, DBP, BBP, DEHP, DIBP, and 0.01% for cadmium, or qualify for an exemption to these limits as defined in the Annexes of Directive 2011/65/EU (RoHS2). Finished electrical and electronic equipment products will be CE marked as required by Directive 2011/65/EU. Components may not be CE marked. Additionally, the part numbers that TE has identified as EU ELV compliant have a maximum concentration of 0.1% by weight in homogenous materials for lead, hexavalent chromium, and mercury, and 0.01% for cadmium, or qualify for an exemption to these limits as defined in the Annexes of Directive 2000/53/EC (ELV). Regarding the REACH Regulation, the information TE provides on SVHC in articles for this part number is based on the latest European Chemicals Agency (ECHA) 'Guidance on requirements for substances in articles' posted at this URL: <https://echa.europa.eu/guidance-documents/guidance-on-reach>

### Compatible Parts

TE Part # 6-6447143-1  
BU CONN FS3 SOCKET RS (6P)

TE Part # 6-6447143-6  
BU CONN FS3 SOCKET RSB (6P)

TE Part # 6-1447143-0  
BATTERY FS3 SOCKET 6POS SS

TE Part # 9-1447142-0  
3900297-06=BATTERY BLOCK FS3

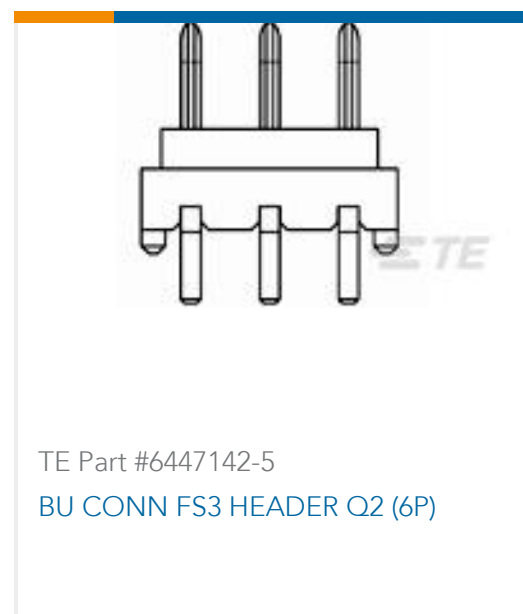
### Customers Also Bought

TE Part #9-215083-0  
Male-on-Wire Connector, Micro-MaTch

TE Part #W2P  
WEDGE LOCK, 2P, REC, GRN, DT

TE Part #7-188275-8  
MICRO-MATCH SMD FTE

TE Part #320565  
TERMINAL,PIDG R 16-14 8



## Documents

### Product Drawings

#### BU CONN FS3 HEADER G (6P)

English

### CAD Files

#### 3D PDF

English

#### Customer View Model

[ENG\\_CVM\\_6-6447143-3\\_O.2d\\_dxf.zip](#)

English

#### Customer View Model

[ENG\\_CVM\\_6-6447143-3\\_O.3d\\_igs.zip](#)

English

#### Customer View Model

[ENG\\_CVM\\_6-6447143-3\\_O.3d\\_stp.zip](#)

English

By downloading the CAD file I accept and agree to the [Terms and Conditions](#) of use.

### Datasheets & Catalog Pages

#### 2\_PIECE\_POWER\_CONNECTORS\_qrg\_4-1773458-1

English

### Product Specifications

#### BATTERY UNIT CONNECTOR FS3

English

#### Product Specification

English