



AMP-METRIMATE

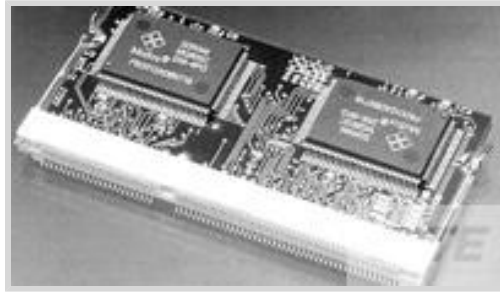
TE Internal #: 6-390114-1

TE Internal Description: SKT,SODIMM,144P,SDRAM3.3V,LOW,T&R

DDR3 SO DIMM Sockets

[View on TE.com >](#)

Connectors > Socket Connectors > Memory Sockets > SO DIMM Sockets > DDR3 SO DIMM Sockets

DRAM Type: **Small Outline (SO)**Stack Height: **4 mm [.157 in]**Module Orientation: **Right Angle**Number of Positions: **144**Centerline (Pitch): **.8 mm [.031 in]**[All DDR3 SO DIMM Sockets \(12\)](#)**Features****Product Type Features**

| | |
|-----------------------------------|-----------------------|
| Connector System | Cable-to-Board |
| Connector & Contact Terminates To | Printed Circuit Board |
| DRAM Type | Small Outline (SO) |

Configuration Features

| | |
|---------------------|-------------|
| Number of Bays | 2 |
| Number of Keys | 1 |
| Number of Rows | 2 |
| Module Orientation | Right Angle |
| Number of Positions | 144 |

Electrical Characteristics

| | |
|--------------|-------|
| DRAM Voltage | 3.3 V |
|--------------|-------|

Body Features

| | |
|------------------------|-----------------|
| Ejector Location | None |
| Latch Material | Stainless Steel |
| Latch Plating Material | Tin |
| Module Key Type | SDRAM |
| Connector Profile | Low |

Contact Features

| | |
|--|--|
| Memory Socket Type | Memory Card |
| PCB Contact Termination Area Plating Material | Gold Flash |
| Contact Base Material | Copper Alloy |
| Contact Mating Area Plating Material | Gold |
| Contact Mating Area Plating Material Thickness | .25 μm [9.84 μin] |

Termination Features

| | |
|---------------------------|---------------|
| Insertion Style | Cam-In |
| Termination Method to PCB | Surface Mount |

Mechanical Attachment

| | |
|--------------------------|----------------|
| Mating Alignment Type | Offset Left |
| PCB Mount Retention | With |
| PCB Mount Retention Type | Hold-Down Post |
| Connector Mounting Type | Board Mount |

Housing Features

| | |
|--------------------|--------------------------|
| Housing Material | High Temperature Plastic |
| Housing Color | Natural |
| Centerline (Pitch) | .8 mm[.031 in] |

Dimensions

| | |
|--------------------|-----------------|
| Stack Height | 4 mm[.157 in] |
| Row-to-Row Spacing | 6.2 mm[.244 in] |

Usage Conditions

| | |
|-----------------------------|--|
| Operating Temperature Range | -55 – 105 $^{\circ}\text{C}$ [-67 – 221 $^{\circ}\text{F}$] |
|-----------------------------|--|

Operation/Application

| | |
|---------------------|--------|
| Circuit Application | Signal |
|---------------------|--------|

Industry Standards

| | |
|------------------------|----------|
| UL Flammability Rating | UL 94V-0 |
|------------------------|----------|

Packaging Features

| | |
|--------------------|------|
| Packaging Quantity | 200 |
| Packaging Method | Reel |

Product Compliance

[For compliance documentation, visit the product page on TE.com>](#)

| | |
|---|---|
| EU RoHS Directive 2011/65/EU | Compliant |
| EU ELV Directive 2000/53/EC | Compliant |
| China RoHS 2 Directive MIIT Order No 32, 2016 | No Restricted Materials Above Threshold |
| EU REACH Regulation (EC) No. 1907/2006 | Current ECHA Candidate List: JUNE 2024 (241) Candidate List Declared Against: JUNE 2024 (241) Does not contain REACH SVHC |
| Halogen Content | Low Halogen - Br, Cl, F, I < 900 ppm per homogenous material. Also BFR/CFR/PVC Free |
| Solder Process Capability | Reflow solder capable to 260°C |

Product Compliance Disclaimer

This information is provided based on reasonable inquiry of our suppliers and represents our current actual knowledge based on the information they provided. This information is subject to change. The part numbers that TE has identified as EU RoHS compliant have a maximum concentration of 0.1% by weight in homogenous materials for lead, hexavalent chromium, mercury, PBB, PBDE, DBP, BBP, DEHP, DIBP, and 0.01% for cadmium, or qualify for an exemption to these limits as defined in the Annexes of Directive 2011/65/EU (RoHS2). Finished electrical and electronic equipment products will be CE marked as required by Directive 2011/65/EU. Components may not be CE marked. Additionally, the part numbers that TE has identified as EU ELV compliant have a maximum concentration of 0.1% by weight in homogenous materials for lead, hexavalent chromium, and mercury, and 0.01% for cadmium, or qualify for an exemption to these limits as defined in the Annexes of Directive 2000/53/EC (ELV). Regarding the REACH Regulation, the information TE provides on SVHC in articles for this part number is based on the latest European Chemicals Agency (ECHA) 'Guidance on requirements for substances in articles' posted at this URL: <https://echa.europa.eu/guidance-documents/guidance-on-reach>

Also in the Series | AMP-METRIMATE

| | | | |
|---|--|---|---|
|  |  |  |  |
| Card Edge Power Connectors(1) | Connector Hardware(1) | PCB Headers & Receptacles(9) | Rack & Panel Connectors(1) |



Rectangular Power Connectors(2)

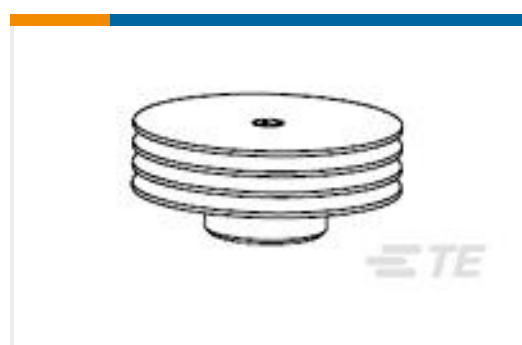


RJ45 Connectors(45)



SO DIMM Sockets(12)

Customers Also Bought

TE Part #1-1744524-0
EP 10P HEADER ASY NO 8 PINTE Part #1-2170704-0
CAGE ASSY, QSFP28 1X1, SPRING, HSTE Part #2143329-1
1x6 QSFP Cage Assy Behind BzlTE Part #1-1542006-0
HTS210-U=HS 25MM ASSY ULTEM CLTE Part #2-1542006-1
HTS512-U=HS 32.5 ASSY ULTEM CLTE Part #2-1542006-3
HTS186-U=HS 21MM ASSY ULTEM CL

Documents

CAD Files

Customer View Model

[ENG_CVM_6-390114-1_J.3d_igs.zip](#)

English

Customer View Model

[ENG_CVM_6-390114-1_J.3d_stp.zip](#)

English

Customer View Model

[ENG_CVM_6-390114-1_J.2d_dxf.zip](#)

English

3D PDF

English

By downloading the CAD file I accept and agree to the [Terms and Conditions](#) of use.