

6-1478762-7 ✓ ACTIVE

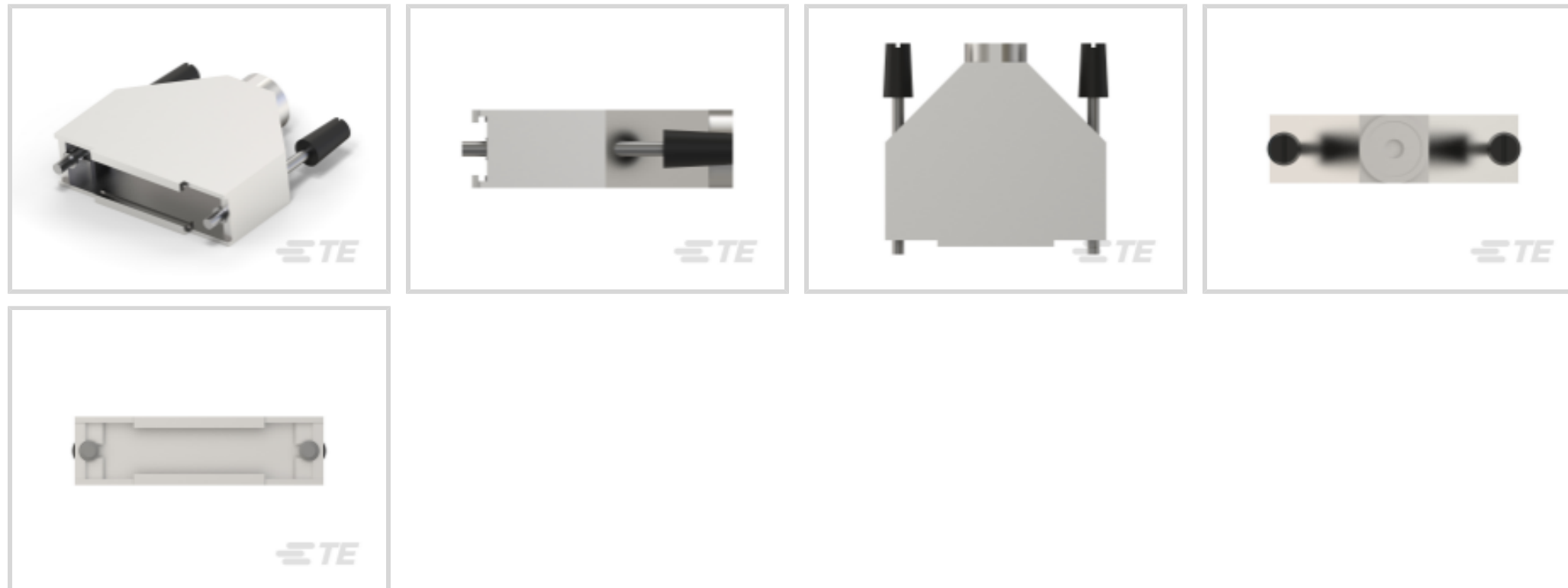
TE Internal #: 6-1478762-7

D-Sub Backshells & Clamps, Backshell, Two-Piece RFI/EMI Shield,
25 Position, Size 3, Shielded, Cable Exit Angle 180°

[View on TE.com >](#)



Connectors > D-Shaped Connectors > D-Sub Accessories > D-Sub Backshells & Clamps



D-Shaped Connector Accessories: **Backshell**

Cable Clamp Type: **Two-Piece RFI/EMI Shield**

Number of Positions: **25**

Compatible With Connector Shell Size: **3**

Shielded: **Yes**

Features

Product Type Features

D-Shaped Connector Accessories

Backshell

Configuration Features

Number of Positions

25

Body Features

Cable Clamp Type

Two-Piece RFI/EMI Shield

Cable Exit Angle

180°

Dimensions

Cable Insulation Diameter Range

4 – 13 mm [.158 – .512 in]

Operation/Application

Compatible With Connector Shell Size

3

Shielded

Yes

Product Compliance

[For compliance documentation, visit the product page on TE.com>](#)

EU RoHS Directive 2011/65/EU

Compliant



EU ELV Directive 2000/53/EC	Compliant with Exemptions
China RoHS 2 Directive MIIT Order No 32, 2016	No Restricted Materials Above Threshold
EU REACH Regulation (EC) No. 1907/2006	Current ECHA Candidate List: JUNE 2022 (224) Candidate List Declared Against: JUNE 2022 (224) Does not contain REACH SVHC
Halogen Content	Low Halogen - Br, Cl, F, I < 900 ppm per homogenous material. Also BFR/CFR/PVC Free
Solder Process Capability	Not applicable for solder process capability

Product Compliance Disclaimer

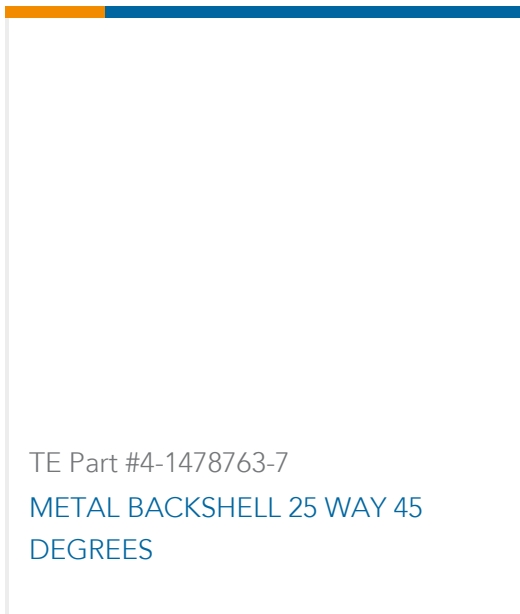
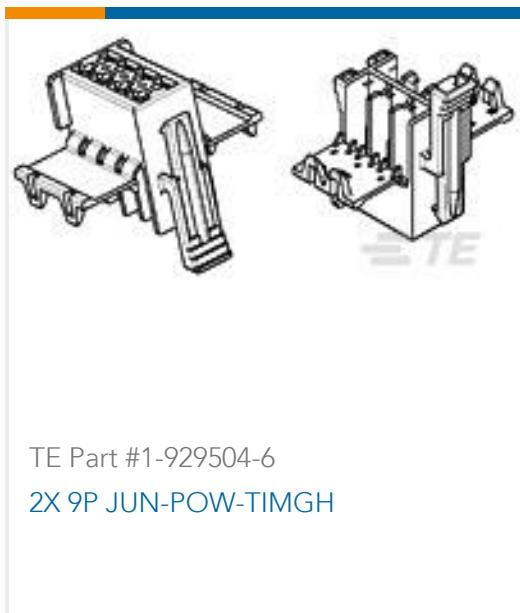
This information is provided based on reasonable inquiry of our suppliers and represents our current actual knowledge based on the information they provided. This information is subject to change. The part numbers that TE has identified as EU RoHS compliant have a maximum concentration of 0.1% by weight in homogenous materials for lead, hexavalent chromium, mercury, PBB, PBDE, DBP, BBP, DEHP, DIBP, and 0.01% for cadmium, or qualify for an exemption to these limits as defined in the Annexes of Directive 2011/65/EU (RoHS2). Finished electrical and electronic equipment products will be CE marked as required by Directive 2011/65/EU. Components may not be CE marked. Additionally, the part numbers that TE has identified as EU ELV compliant have a maximum concentration of 0.1% by weight in homogenous materials for lead, hexavalent chromium, and mercury, and 0.01% for cadmium, or qualify for an exemption to these limits as defined in the Annexes of Directive 2000/53/EC (ELV). Regarding the REACH Regulation, the information TE provides on SVHC in articles for this part number is based on the latest European Chemicals Agency (ECHA) 'Guidance on requirements for substances in articles' posted at this URL: <https://echa.europa.eu/guidance-documents/guidance-on-reach>

Compatible Parts



Customers Also Bought





Documents

Product Drawings

[METAL BACKSHELL 25 WAY TOP ENTRY](#)

English

[METAL BACKSHELL 25 WAY TOP ENTRY](#)

English

[METAL BACKSHELL 25 WAY TOP ENTRY](#)

English

CAD Files

[3D PDF](#)

3D

Customer View Model

[ENG_CVM_CVM_6-1478762-7_G_c-6-1478762-7-g.2d_dxf.zip](#)

English

Customer View Model

[ENG_CVM_CVM_6-1478762-7_G_c-6-1478762-7-g.3d_igs.zip](#)

English

Customer View Model

[ENG_CVM_CVM_6-1478762-7_G_c-6-1478762-7-g.3d_stp.zip](#)

English

By downloading the CAD file I accept and agree to the [Terms and Conditions](#) of use.