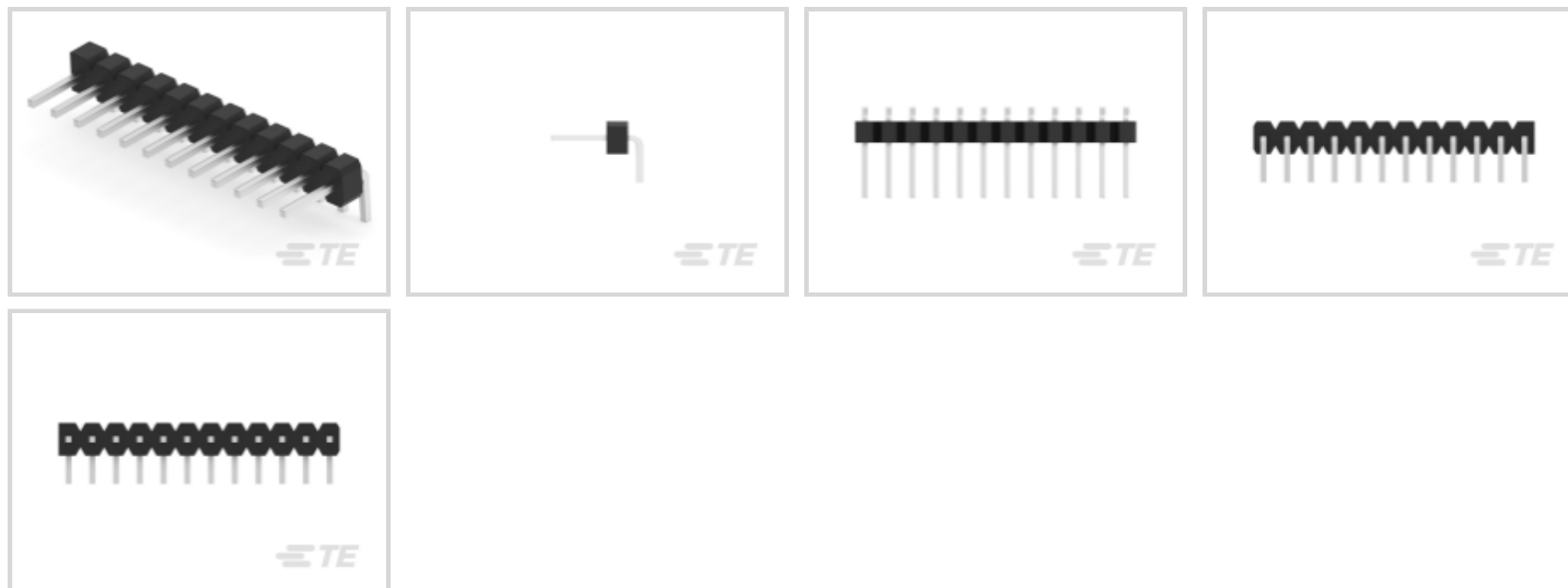


6-103329-2 ✓ ACTIVE

TE Internal #: 6-103329-2

TE Internal Description: 12 MODII HDR SRRA B/A .100 CL LF

[View on TE.com >](#)



Product Compliance

[For compliance documentation, visit the product page on TE.com>](#)

EU RoHS Directive 2011/65/EU	Not Yet Reviewed
EU ELV Directive 2000/53/EC	Compliant
China RoHS 2 Directive MIIT Order No 32, 2016	No Restricted Materials Above Threshold
EU REACH Regulation (EC) No. 1907/2006	Current ECHA Candidate List: JUNE 2024 (241) Candidate List Declared Against: DEC 2012 (138) SVHC > Threshold: Not Yet Reviewed
Halogen Content	Not Yet Reviewed for halogen content
Solder Process Capability	Not reviewed for solder process capability

Product Compliance Disclaimer

This information is provided based on reasonable inquiry of our suppliers and represents our current actual knowledge based on the information they provided. This information is subject to change. The part numbers that TE has identified as EU RoHS compliant have a maximum concentration of 0.1% by weight in homogenous materials for lead, hexavalent chromium, mercury, PBB, PBDE, DBP, BBP, DEHP, DIBP, and 0.01% for cadmium, or qualify for an exemption to these limits as defined in the Annexes of Directive 2011/65/EU (RoHS2). Finished electrical and electronic equipment products will be CE marked as required by Directive 2011/65/EU. Components may not be CE marked. Additionally, the part numbers that TE has identified as EU ELV compliant have a maximum concentration of 0.1% by weight in homogenous materials for lead, hexavalent chromium, and mercury, and 0.01% for cadmium, or qualify for an exemption to these limits as defined in the Annexes of Directive 2000/53/EC (ELV). Regarding the REACH Regulations, TE's information on SVHC in articles for this part number is still based on the European Chemical Agency (ECHA) 'Guidance on requirements for substances in articles' (Version: 2, April 2011), applying the 0.1% weight on weight concentration threshold at the finished product level. TE is aware of the European Court of Justice ruling of September 10th, 2015 also known as O5A (Once An Article Always An Article) stating that, in case of 'complex object', the threshold for a SVHC must be applied to both the product as a whole and simultaneously to each of the articles forming part of its composition. TE has evaluated this ruling based on the new ECHA "Guidance on requirements for substances in articles" (June 2017, version 4.0) and will be updating its statements accordingly.

Customers Also Bought



TE Part #5499374-5
A/L UNIV HDR 24P VERT SHT LAT



TE Part #1-794106-1
20P MINI UMNL R/A HDR ASSY LF



TE Part #211908-1
RECPT, 11-4, REVERSE SEX CPC



TE Part #2359624-1
UMNL TWIST-N-LOK, 5POS, .100"
PANEL



TE Part #1-746610-8
34 DIP PLUG, 100CL, LEAD FREE



TE Part #1-66473-9
SKT,.062 DIA,.045 SQ POST,LP



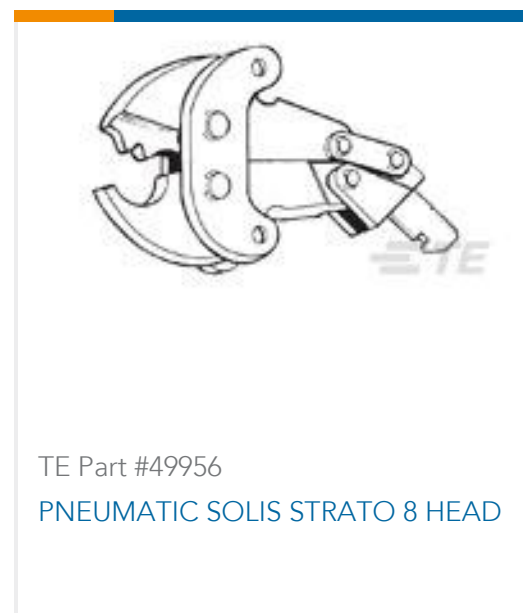
TE Part #51979-2
TERMINAL,COPALUM 12-10 10



TE Part #1-66473-8
SKT,.062 DIA,.045 SQ POST,LP



TE Part #1490745-1
HYP10 LIGHT DUTY 12T HEAD



TE Part #49956
PNEUMATIC SOLIS STRATO 8 HEAD

Documents

CAD Files

3D PDF

3D

Customer View Model

[ENG_CVM_CVM_6-103329-2_L.2d_dxf.zip](#)

English

Customer View Model

[ENG_CVM_CVM_6-103329-2_L.3d_igs.zip](#)

English

Customer View Model

[ENG_CVM_CVM_6-103329-2_L.3d_stp.zip](#)

English

3D PDF

English

Customer View Model

[ENG_CVM_6-103329-2_J.3d_igs.zip](#)

English

Customer View Model



[ENG_CVM_6-103329-2_J.3d_stp.zip](#)

English

Customer View Model

[ENG_CVM_6-103329-2_J.2d_dxf.zip](#)

English

By downloading the CAD file I accept and agree to the [Terms and Conditions](#) of use.