



**Part Number :** [1300620283](#)

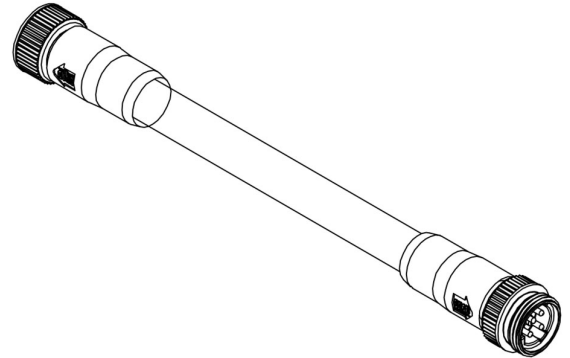
**Product Description :** BradPower A-Size (7/8"-M22) Double-Ended Cordset, 4 Poles, Tri-Key, Male (Straight) to Female (Straight), 14 AWG, Black TPE Cable, 8.0m (26.25') Length

**Series Number :** 130062

**Status :** Active

**Product Category :** Circular Industrial Cordsets

**Engineering Number :** 114130K21M080



---

## Documents & Resources

### Drawings

[1300620283\\_sd.pdf](#)

---

## Product Environment Compliance

### Compliance

GADSL/IMDS	Not Relevant
China RoHS	Not Relevant
EU ELV	Not Compliant per 2000/53/EC
Low-Halogen Status	Not Relevant
REACH SVHC	Contains Lead; diphenyl(2,4,6-trimethylbenzoyl)phosphine oxide per D(2023)3788-DC (14 Jun 2023)
EU RoHS	Compliant with Exemption 6(c) per EU 2015/863

### Multiple Part Product Compliance Statements

- Eu RoHS
- REACH SVHC
- Low-Halogen

### Multiple Part Industry Compliance Documents

- IPC 1752A Class C
- IPC 1752A Class D
- Molex Product Compliance Declaration

- IEC-62474

- chemSHERPA (xml)

EU RoHS Certificate of Compliance

---

## Part Details

### General

Status	Active
Category	Circular Industrial Cordsets
Series	130062
Description	BradPower A-Size (7/8"-M22) Double-Ended Cordset, 4 Poles, Tri-Key, Male (Straight) to Female (Straight), 14 AWG, Black TPE Cable, 8.0m (26.25') Length
IP Rating	IP67
Product Name	BradPower A-Size
Protocol	FF
Type	Double Ended
UPC	78172546648

### Agency

UL	E258922
----	---------

### Electrical

Current - Maximum per Contact	15.0A
Voltage - Maximum	600V

### Physical

Cable Diameter	9.47mm (.373")
Cable Length	8.0m (26.25')
Color - Cable Jacket	Black
Connector End A	BradPower A-Size (7/8"-M22)
Connector End B	BradPower A-Size (7/8"-M22)
Coupling Style	Threaded
Gender	Female-Male
Keyway	Tri-Key

LED Indicator	No
Material - Cable Jacket	TPE
Material - Connector Body	TPE
Material - Contact	Copper Alloy
Material - Coupling Nut	Black Epoxy Coated Zinc
Material - Plating Mating	Gold
Net Weight	888.000/g
Orientation	Straight to Straight
Poles	4
Temperature Range - Operating	-20° to +90°C
Wire/Cable Type	TC-ER
Wire Size (AWG)	14

---

This document was generated on Feb 13, 2025