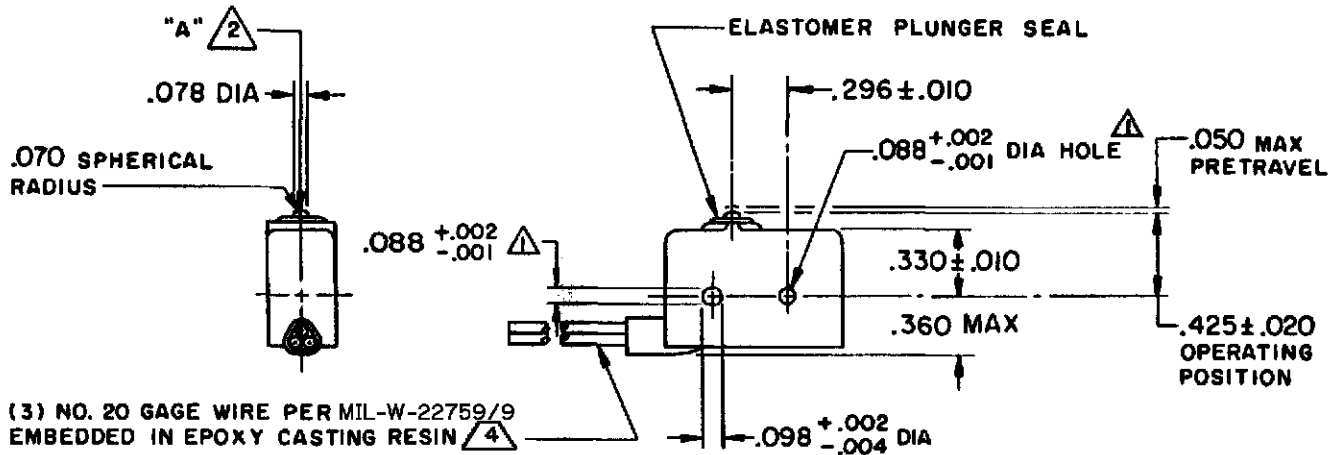
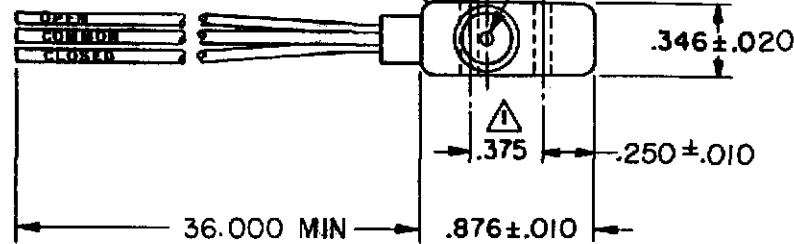


CORROSION RESISTANT METAL ENCLOSURE

CORROSION RESISTANT STEEL PLUNGER



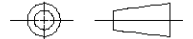
(3) NO. 20 GAGE WIRE PER MIL-W-22759/9 EMBEDDED IN EPOXY CASTING RESIN \triangle 4

NOTES

- \triangle 1 MOUNTING HOLES WILL ACCEPT PINS OR SCREWS OF .087 MAX DIA ON $.375 \pm .002$ CENTERS
- \triangle 2 ACTUATION IN LINE WITH ARROW "A" IS RECOMMENDED
- \triangle 3 WEIGHT OF SWITCH ONLY IS .26 OZ MAX. WEIGHT OF SWITCH WITH LEADS IS 1.40 OZ MAX
- \triangle 4 WIRE LEADS MARKED WITH CIRCUIT IDENTIFICATION (CLOSED, COMMON, AND OPEN) (CLOSED-20, OPEN-20, AND COMMON-20) PER MIL-W-5088

THIS DRAWING COVERS A PROPRIETARY ITEM AND IS THE PROPERTY OF MICRO SWITCH, A DIVISION OF HONEYWELL. THIS DRAWING IS NOT TO BE COPIED OR USED WITHOUT THE APPROVAL OF MICRO SWITCH.

THIRD ANGLE PROJECTION



CHARACTERISTICS	ELECTRICAL DATA	SCALE FULL	DO NOT SCALE PRINT
OPERATING FORCE ----- 5-17 OZ	CONTACT ARRANGEMENT S P D T	UNLESS OTHERWISE SPECIFIED TOLERANCES ARE	ONE PLACE (.0) $\pm .030$
RELEASE FORCE ----- 4 OZ MIN	250 VAC ----- 5 AMP		TWO PLACE (.00) $\pm .015$
RELEASE TRAVEL ----- .004 MIN	30 VOLTS DC RATING	THREE PLACE (.000) $\pm .005$	ANGLES \pm
DIFFERENTIAL TRAVEL ----- .004 MAX	INDUCTIVE ----- SEA LEVEL --- 3 AMP		
OVERTRAVEL ----- .003 MIN	50,000 FT --- 2.5 AMP		
	RESISTIVE ----- SEA LEVEL --- 5 AMP		
	50,000 FT --- 5 AMP		
	MAXIMUM INRUSH ----- 24 AMP		
		WEIGHT \triangle 3	

CATALOG LISTING
PAGE 1 OF 1
REPLACES PR-14617
ISSUE 2
CHECK
REVISIONS
A CO-94402
JJA 5 MAR 99
CHECK
JAF 5 MAR 99
CHECK
JJA 5 MAR 99
FORMTEK DRAWN