

5G108-RI5

GigaMax Cat 5e QuickPort Connector, Ivory



Color:  Ivory

UPC Code: 07847717030

Country Of Origin: United States

The GigaMax Cat 5e UTP QuickPort Connector is designed to be used with any Category 5e UTP structured cabling system. The modular connector features a one-piece narrow design that supports high port density in a small area, and is ideal for use in residential, MDU, and high megabit applications.

Technical Information

Environmental Specifications

Flammability: Rated UL94V-0

Material Specifications

Contact Base Material: Phosphor Bronze

Body Material: High-Impact Fire-Retardant Plastic

Body Color: Ivory

Mechanical Specifications

Position / Conductor: 8P8C

Style Name: GigaMax

Termination Type: 110 Punchdown

Connector Feature: Channel-Rated

Cable Type: 8-Conductor UTP Copper Cat 5, 5e and 6

Product ID: Permanently laser-engraved

Wiring Standard: T568A T568B

Performance Specifications

Module Type: Category 5e

Product Features

Module Style: Connector

Module Type: Category 5e

Position / Conductor: 8P8C

Cable Type: 8-Conductor UTP Copper Cat 5, 5e and 6

Connector Feature: Channel-Rated

Termination Type: 110 Punchdown

Category Rating: GigaMax 5e

Contact Base Material: Phosphor Bronze

Body Color: Ivory

Standards and Certifications: TIA/EIA cULus Listed

Warranty: 1 Year Limited

Packaging: Single Pack 1/bag

Color: Ivory

Standards and Certifications

TIA/EIA: TIA-568-B

UL: cULus Listed

CSA: Certified

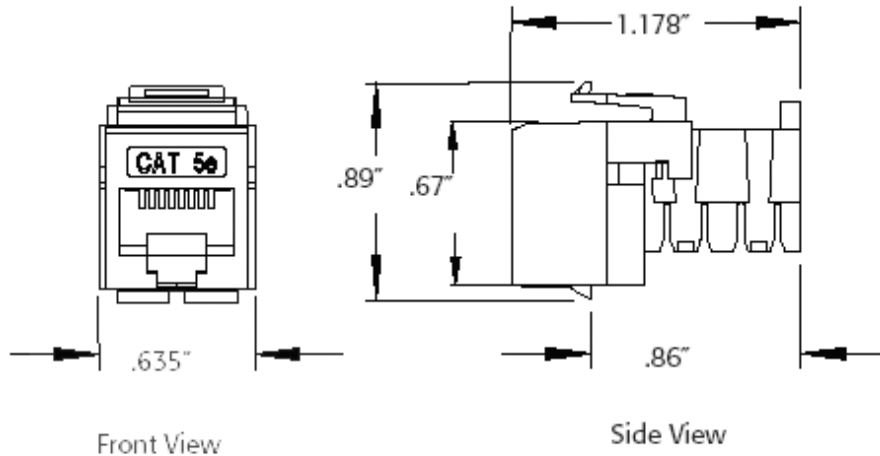
NEC: Article 800 Compliant

FCC: Part 68 Compliant

ACA: Compliant

Features and Benefits

- Available in 13 colors
- Dual wiring code label allows connector to be wired to either T568A or T568B
- Individual port configurability allows specification flexibility
- Robust one-piece lead-frame design
- Narrow connector allows high port density in a small area
- Performance supports high megabit and shared-sheath applications
- Available individually, in bulk packages of 25, and in bulk packages of 150 with a JackRapid Punchdown Tool



SPECIFICATION SUBMITTAL

JOB NAME: <input type="text"/>	CATALOG NUMBERS: <input type="text"/>	<input type="text"/>
JOB NUMBER: <input type="text"/>	<input type="text"/>	<input type="text"/>

Leviton Manufacturing Co., Inc.

201 North Service Road, Melville, NY 11747

Telephone: +1-800-323-8920 · FAX: +1-800-832-9538 · Tech Line (8:30AM-7:30PM E.S.T. Monday-Friday):

+1-800-824-3005

Leviton Manufacturing of Canada, Ltd.

165 Hymus Boulevard, Pointe Claire, Quebec H9R 1E9 · Telephone: +1-800-469-7890 ·

FAX: +1-800-824-3005 · www.leviton.com/canada

Leviton S. de R.L. de C.V.

Lago Tana 43, Mexico DF, Mexico CP 11290 · Tel.: (+52)55-5082-1040 · FAX: (+52)5386-

1797 · www.leviton.com.mx

Visit our Website at: www.leviton.com

© 2018 Leviton Manufacturing Co., Inc. All Rights Reserved. Subject to change without notice.

Leviton has a global presence.

If you would like to know where your local Leviton office is located please go to:

www.leviton.com/international/contacts/

