

PLEASE CHECK WWW.MOLEX.COM FOR LATEST PART INFORMATION

Part Number: [0593190028](#)
Status: **Active**
Overview: Mini-HMC Rectangular Industrial Connector System
Description: HMC Rectangular Industrial Female Terminal, Multi-Module Type, Reel

Documents:

[3D Model](#) [3D Model \(PDF\)](#)
[Drawing \(PDF\)](#) [RoHS Certificate of Compliance \(PDF\)](#)

General

Product Family Crimp Terminals
 Series [59319](#)
 Application Power, Wire-to-Wire
 Crimp Quality Equipment Yes
 Overview [Mini-HMC Rectangular Industrial Connector System](#)
 Product Name HMC
 UPC 822348246151

Physical

Durability (mating cycles max) 50
 Gender Female
 Material - Metal Silicon Bronze
 Material - Plating Mating Gold
 Material - Plating Termination Tin
 Net Weight 545.384/mg
 Packaging Type Reel
 Plating min - Mating 0.254µm
 Plating min - Termination 1.016µm
 Termination Interface: Style Crimp or Compression
 Wire Insulation Diameter 2.20-2.70mm
 Wire Size AWG 16
 Wire Size mm² N/A

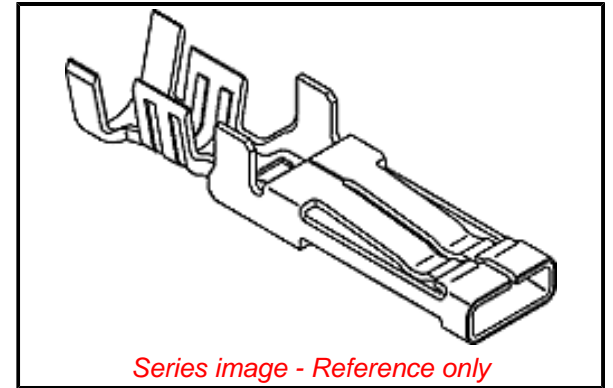
Electrical

Current - Maximum per Contact 13.0A
 Voltage - Maximum 250V AC / 300V DC

Material Info

Reference - Drawing Numbers

Sales Drawing SD-59319-002



EU ELV

Not Relevant

EU RoHS

Compliant

REACH SVHC

Not Contained Per -
 D(2020)4578-DC (25
 June 2020)

Halogen-Free

Status

Low-Halogen

For more information, please visit [Contact US](#)

China ROHS

ELV

RoHS Phthalates

China RoHS

Green Image

Not Relevant

Not Contained

Search Parts in this Series

[59319 Series](#)

Use With

[51195 Housing](#)

Application Tooling | FAQ

Tooling specifications and manuals are found by selecting the products below. Crimp Height Specifications are then contained in the Application Tooling Specification document.

Global

Description

Product #

Extraction Tool for [638133501](#)

RCM Connector System

Hand Crimp Tool [638255300](#)

for HMC Crimp Terminals

Japan

Description

Product #

Applicator for M211A [573553000](#)

Bench Press, 14-18

AWG Wire

This document was generated on 07/13/2020

PLEASE CHECK WWW.MOLEX.COM FOR LATEST PART INFORMATION