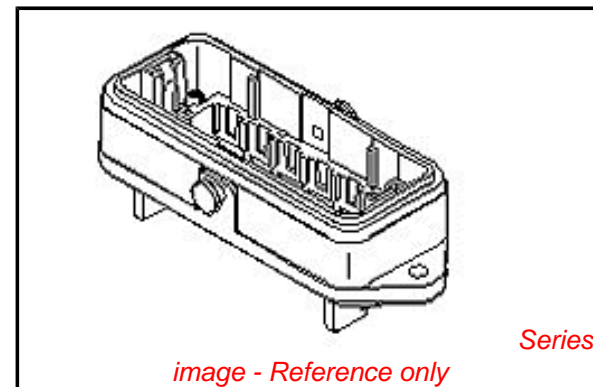


PLEASE CHECK WWW.MOLEX.COM FOR LATEST PART INFORMATION

Part Number: [58691-0020](#)
Status: **Active**
Overview: [Heavy Duty Rectangular Connectors - HMC™](#)
Description: HMC™ Rectangular Industrial Panel-Mount Bracket, Multi-Module Type, 36 Circuits, Type B Polarization

Documents:

3D Model	Application Specification AS-58696-005 (PDF)
Drawing (PDF)	Application Specification AS-58696-006 (PDF)
Product Specification PS-58691-004 (PDF)	RoHS Certificate of Compliance (PDF)
Application Specification AS-58696-004 (PDF)	



Agency Certification

TUV R72081037

General

Product Family	I/O Connectors
Series	58691
Application	Panel-Mount
Component Type	Panel-Mount Bracket
Overview	Heavy Duty Rectangular Connectors - HMC™
Product Name	HMC™
Type	N/A
UPC	800753920576

Physical

Circuits (Loaded)	36
Circuits (maximum)	36
Durability (mating cycles max)	50
Lock to Mating Part	Yes
Material - Metal	Brass
Material - Plating Mating	Copper
Material - Plating Termination	Copper
Net Weight	83274.500/mg
Orientation	Vertical
Packaging Type	Bag
Panel Mount	Screws
Pitch - Mating Interface	N/A
Plating min - Mating	0.508µm
Plating min - Termination	0.508µm
Polarized to Mating Part	Yes
Temperature Range - Operating	-55°C to +125°C
Termination Interface: Style	Surface Mount
Waterproof / Dustproof	Yes
Waterproof / Dustproof Type	IP65

Electrical

Current - Maximum per Contact	12A
Voltage - Maximum	250V AC

Material Info

Reference - Drawing Numbers

Application Specification	AS-58696-004, AS-58696-005, AS-58696-006
Product Specification	PS-58691-004, RPS-58691-003, RPS-58691-004, RPS-58691-005
Sales Drawing	SD-58691-002

EU RoHS

RoHS Compliant by Exemption
REACH SVHC
 Not Reviewed
Low-Halogen Status
 Not Reviewed

China RoHS



Need more information on product environmental compliance?

Email productcompliance@molex.com
 For a multiple part number RoHS Certificate of Compliance, [click here](#)

Please visit the [Contact Us](#) section for any non-product compliance questions.

Search Parts in this Series

[58691Series](#)

Mates With

[58687-0020 Hood Bracket](#), [58696 Hood](#)

Use With

[51201 dust Cover](#), [51192 Housing](#), [51193 Housing](#)

This document was generated on 04/12/2013

PLEASE CHECK WWW.MOLEX.COM FOR LATEST PART INFORMATION