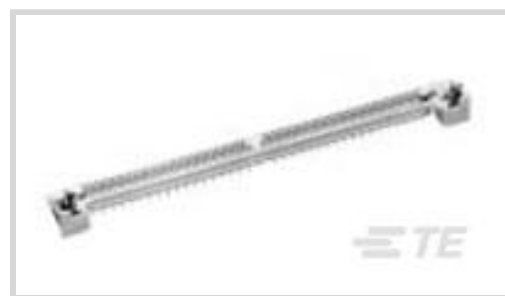




MICRO-EDGE

TE Internal #: 5822134-4

SIMM Sockets, 22° Module Orientation, 80 Position, -67 – 221 °F
[-55 – 105 °C][View on TE.com >](#)[Connectors >](#) [Socket Connectors >](#) [Memory Sockets >](#) [SIMM Sockets](#)

Module Orientation: 22°

Number of Positions: 80

Operating Temperature Range: -55 – 105 °C [-67 – 221 °F]

Features

Product Type Features

Connector & Contact Terminates To	Printed Circuit Board
-----------------------------------	-----------------------

Configuration Features

Number of Keys	1
Number of Rows	1
Module Orientation	22°
Number of Positions	80

Body Features

Latch Material	Stainless Steel
Retention Post Location	Center
Latch Plating Material	Nickel
Connector Profile	Low

Contact Features

Memory Socket Type	Memory Card
	200 µin
Contact Mating Area Plating Material	Tin
Contact Underplating Material	Nickel
PCB Contact Termination Area Plating Material	Tin
Contact Base Material	Phosphor Bronze
Contact Current Rating (Max)	1 A

Termination Features

Insertion Style	Cam-In
Termination Post & Tail Length	2.92 mm, 3.56 mm [.115 in][.14 in]
Termination Method to Printed Circuit Board	Through Hole - Solder

Mechanical Attachment

Polarization	Left
Mating Alignment Type	Center Post
Connector Mounting Type	Board Mount

Housing Features

Housing Material	LCP (Liquid Crystal Polymer)
Centerline (Pitch)	1.27 mm [.05 in]

Dimensions

Center Retention Hole Diameter	1.63 mm [.064 in]
--------------------------------	-------------------

Usage Conditions

Operating Temperature Range	-55 – 105 °C [-67 – 221 °F]
-----------------------------	-----------------------------

Operation/Application

Circuit Application	Signal
---------------------	--------

Industry Standards

UL Flammability Rating	UL 94V-0
------------------------	----------

Packaging Features

Packaging Quantity	26
Packaging Method	Box & Tube, Tube

Product Compliance

[For compliance documentation, visit the product page on TE.com>](#)

EU RoHS Directive 2011/65/EU	Compliant
EU ELV Directive 2000/53/EC	Compliant
China RoHS 2 Directive MIIT Order No 32, 2016	No Restricted Materials Above Threshold
EU REACH Regulation (EC) No. 1907/2006	Current ECHA Candidate List: JUNE 2024 (241) Candidate List Declared Against: JUNE 2024 (241) Does not contain REACH SVHC
Halogen Content	Low Halogen - Br, Cl, F, I < 900 ppm per homogenous material. Also BFR/CFR/PVC

Free

Solder Process Capability

Wave solder capable to 240°C

Product Compliance Disclaimer

This information is provided based on reasonable inquiry of our suppliers and represents our current actual knowledge based on the information they provided. This information is subject to change. The part numbers that TE has identified as EU RoHS compliant have a maximum concentration of 0.1% by weight in homogenous materials for lead, hexavalent chromium, mercury, PBB, PBDE, DBP, BBP, DEHP, DIBP, and 0.01% for cadmium, or qualify for an exemption to these limits as defined in the Annexes of Directive 2011/65/EU (RoHS2). Finished electrical and electronic equipment products will be CE marked as required by Directive 2011/65/EU. Components may not be CE marked. Additionally, the part numbers that TE has identified as EU ELV compliant have a maximum concentration of 0.1% by weight in homogenous materials for lead, hexavalent chromium, and mercury, and 0.01% for cadmium, or qualify for an exemption to these limits as defined in the Annexes of Directive 2000/53/EC (ELV). Regarding the REACH Regulation, the information TE provides on SVHC in articles for this part number is based on the latest European Chemicals Agency (ECHA) 'Guidance on requirements for substances in articles' posted at this URL: <https://echa.europa.eu/guidance-documents/guidance-on-reach>

Compatible Parts



TE Part # 1759503-1
mini PCI-E 8H Type I PKG G/F

Customers Also Bought



TE Part #DT04-2P
REC, 2P, GRY, N



TE Part #DT06-2S
PLG, 2P, GRY, N



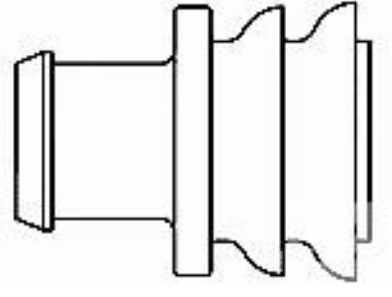
TE Part #W2S
Wedgelocks: DEUTSCH DT



TE Part #0460-202-16141
DEUTSCH Solid Contacts



TE Part #282104-1
AMP SUPERSEAL 1.5MM,
CONNECTOR HOUSING



TE Part #281934-2
SINGLE WIRE SEAL



TE Part #114017-ZZ
SEALING PLUG, SIZE 12/16, WHT

Documents

[Product Drawings](#)



80 ME .050 L/P M/L PB-FREE

English

CAD Files

3D PDF

3D

Customer View Model

[ENG_CVM_CVM_5822134-4_B_c-5822134-4-b.2d_dxf.zip](#)

English

Customer View Model

[ENG_CVM_CVM_5822134-4_B_c-5822134-4-b.3d_igs.zip](#)

English

Customer View Model

[ENG_CVM_CVM_5822134-4_B_c-5822134-4-b.3d_stp.zip](#)

English

By downloading the CAD file I accept and agree to the [Terms and Conditions](#) of use.

Product Specifications

Application Specification

English

MICRO-EDGE SIMM (Single In-Line Memory Module) Connectors

English