

QS1500-NO.2-F6-0-65MM ✓ ACTIVE

RAYCHEM | RAYCHEM QS1500

TE Internal #: 581913P003

Black, 4:1, Dual Wall Tubing, Shrinks To 1.65 mm [.065 in],
Irradiated Modified Polyolefin, 7.62 mm [.3 in] Inner Diameter,
RAYCHEM QS1500

[View on TE.com >](#)



Heat Shrink Tubing > QS1500 Heat Shrink Tubing



Primary Product Color: **Black**

Wall Type: **Dual Wall**

Expanded Inside Diameter (Min): **7.62 mm [.3 in]**

Recovered Inside Diameter (Max): **1.65 mm [.065 in]**

Shrink Ratio: **4:1**

[All QS1500 Heat Shrink Tubing \(34\)](#)

Features

Product Type Features

Wall Type	Dual Wall
-----------	-----------

Electrical Characteristics

Operating Voltage (Max)	.6 kV
-------------------------	-------

Body Features

Fluid Type	Water
Primary Product Color	Black
Shrink Ratio	4:1
Primary Product Material	Irradiated Modified Polyolefin
Flexibility	Flexible

Dimensions

Recovered Wall Thickness (Tolerance)	1.52 mm[.06 in]
Product Length	65 mm[2.56 in]
Expanded Inside Diameter (Min)	7.62 mm[.3 in]
Recovered Inside Diameter (Max)	1.65 mm[.065 in]

Usage Conditions

--	--



Shrink Temperature (Min)	70 °C
Tubing Flammability Type	Flame-Retardant
Operating Temperature Range	-40 – 110 °C
Recovery Temperature	121 °C

Operation/Application

Mechanical Resistance	Abrasion
-----------------------	----------

Product Availability

Applicable Region	Americas
-------------------	----------

Packaging Features

Packaging Method	Piece
------------------	-------

Other

Meets Low Outgassing Requirements	No
Product Source	China

Product Compliance

[For compliance documentation, visit the product page on TE.com>](#)

EU RoHS Directive 2011/65/EU	Compliant
EU ELV Directive 2000/53/EC	Compliant
China RoHS 2 Directive MIIT Order No 32, 2016	No Restricted Materials Above Threshold
EU REACH Regulation (EC) No. 1907/2006	Current ECHA Candidate List: JUNE 2024 (241) Candidate List Declared Against: JUNE 2024 (241) Does not contain REACH SVHC
Halogen Content	Not Low Halogen - contains Br or Cl > 900 ppm.
Solder Process Capability	Not applicable for solder process capability

Product Compliance Disclaimer

This information is provided based on reasonable inquiry of our suppliers and represents our current actual knowledge based on the information they provided. This information is subject to change. The part numbers that TE has identified as EU RoHS compliant have a maximum concentration of 0.1% by weight in homogenous materials for lead, hexavalent chromium, mercury, PBB, PBDE, DBP, BBP, DEHP, DIBP, and 0.01% for cadmium, or qualify for an exemption to these limits as defined in the Annexes of Directive 2011/65/EU (RoHS2). Finished electrical and electronic equipment products will be CE marked as required by Directive 2011/65/EU. Components may not be CE marked. Additionally, the part numbers that TE has identified as EU ELV compliant have a maximum concentration of 0.1% by weight in homogenous materials for lead, hexavalent chromium, and mercury, and 0.01% for cadmium, or qualify for an exemption to these limits as defined in the Annexes of Directive 2000/53/EC (ELV). Regarding the REACH Regulation, the information TE provides

on SVHC in articles for this part number is based on the latest European Chemicals Agency (ECHA) 'Guidance on requirements for substances in articles' posted at this URL: <https://echa.europa.eu/guidance-documents/guidance-on-reach>

Compatible Parts



TE Part # EG1114-000
CV1981-ST-230V1600W-EU



TE Part # 2280355-1
220 V MODEL 17



TE Part # 1-2234800-1
RBK-X1, AUTO TRIGGER



TE Part # 1-2234800-3
RBK-X1, W/ AIR COOLING



TE Part # 1-2234800-4
RBK-X1 CE, W/ AIR COOLING



TE Part # 1-2376800-3
RBK-X1C, W/ AIR COOLING



TE Part # 1-2376800-4
RBK-X1C CE, W/ AIR COOLING



TE Part # 2234800-1
RBK-X1 STD



TE Part # 2234800-2
RBK-X1 CE STD



TE Part # 2326489-1
MODEL 105 TUNNEL OVEN, 36"
ENTRY, STAND A



TE Part # 2375310-1
XB17 Belt Heater, 220V



TE Part # 2375310-2
XB17 Belt Heater, 110V



TE Part # 2375320-1
XB19 Belt Heater, STD



TE Part # 2375320-2
XB19 Belt Heater, 150mm (6")
Version



TE Part # 2376800-1
RBK-X1C STD



TE Part # 2376800-2
RBK-X1C CE STD




TE Part # 955018-000
CLTEQ-M105-TUNNEL-OVEN

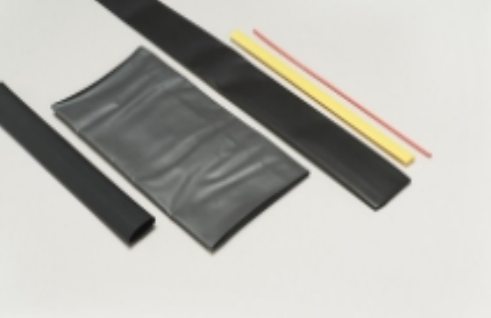


TE Part # 714529-000
CLTEQ-M19-BELT-HTR

TE Part # 1-2375320-1
XB19 BELT HEATER, AUTO SHUT OFF

TE Part # 1-528018-1
IR-1891 SHUTTLE RETURN

Also in the Series | RAYCHEM QS1500



Heat Shrink Tubing(34)

Customers Also Bought



TE Part #DT04-2P
REC, 2P, GRY, N



TE Part #DT06-2S
PLG, 2P, GRY, N



TE Part #W2S
Wedgelocks: DEUTSCH DT



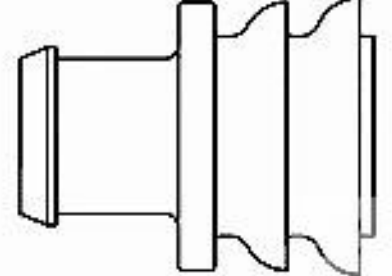
TE Part #0460-202-16141
DEUTSCH Solid Contacts



TE Part #282080-1
AMP SUPERSEAL 1.5MM,
CONNECTOR HOUSING



TE Part #206070-8
CABLE CLAMP KIT #17



TE Part #281934-2
SINGLE WIRE SEAL

Documents

[Product Drawings](#)
[QS1500-NO.2-F6-0-65MM](#)

English

[Datasheets & Catalog Pages](#)
[Measuring_Single_Wall_Tubing](#)

English



Selecting_Correct_Tubing_1216

English

Product Specifications

Application Specification

English