



Z-Type Marker

TE Internal #: EC0026-000

Push-On, 5 Marker Size, Yellow, Straight Cut, 4 Marking Details, Width 4.5 mm [.177 in], Black, Flexible PVC, Z-Type Marker, Pre-Printed Markers

[View on TE.com >](#)

Identification & Labeling > Pre-Printed Markers



Marker Style: **Push-On**

Marker Size: **5**

Compatible Cable Diameter Range: **1.5 – 2 mm [.06 – .08 in]**

Primary Product Color: **Yellow**

Marker Cut: **Straight**

Features

Body Features

Marker Style	Push-On
Marker Size	5
Primary Product Color	Yellow
Primary Product Material	Flexible PVC

Dimensions

Compatible Cable Diameter Range	1.5 – 2 mm [.06 – .08 in]
Product Width	4.5 mm [.177 in]

Printer/Label Features

Marker Cut	Straight
Marking Details	4

Packaging Features

Packaging Quantity	1000
Packaging Method	Box

Other

Printed Marking Color	Black
-----------------------	-------

Product Compliance



[For compliance documentation, visit the product page on TE.com>](#)

EU RoHS Directive 2011/65/EU	Compliant
EU ELV Directive 2000/53/EC	Compliant
China RoHS 2 Directive MIIT Order No 32, 2016	No Restricted Materials Above Threshold
EU REACH Regulation (EC) No. 1907/2006	Current ECHA Candidate List: JUNE 2024 (241) Candidate List Declared Against: JUNE 2024 (241) Does not contain REACH SVHC
Halogen Content	Not Low Halogen - contains Br or Cl > 900 ppm.
Solder Process Capability	Not applicable for solder process capability

Product Compliance Disclaimer

This information is provided based on reasonable inquiry of our suppliers and represents our current actual knowledge based on the information they provided. This information is subject to change. The part numbers that TE has identified as EU RoHS compliant have a maximum concentration of 0.1% by weight in homogenous materials for lead, hexavalent chromium, mercury, PBB, PBDE, DBP, BBP, DEHP, DIBP, and 0.01% for cadmium, or qualify for an exemption to these limits as defined in the Annexes of Directive 2011/65/EU (RoHS2). Finished electrical and electronic equipment products will be CE marked as required by Directive 2011/65/EU. Components may not be CE marked. Additionally, the part numbers that TE has identified as EU ELV compliant have a maximum concentration of 0.1% by weight in homogenous materials for lead, hexavalent chromium, and mercury, and 0.01% for cadmium, or qualify for an exemption to these limits as defined in the Annexes of Directive 2000/53/EC (ELV). Regarding the REACH Regulation, the information TE provides on SVHC in articles for this part number is based on the latest European Chemicals Agency (ECHA) 'Guidance on requirements for substances in articles' posted at this URL: <https://echa.europa.eu/guidance-documents/guidance-on-reach>

Compatible Parts

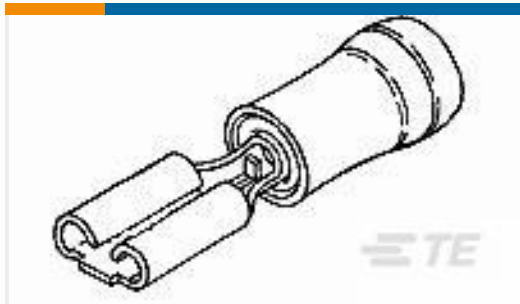


Also in the Series | Z-Type Marker



Pre-Printed Markers(1369)

Customers Also Bought



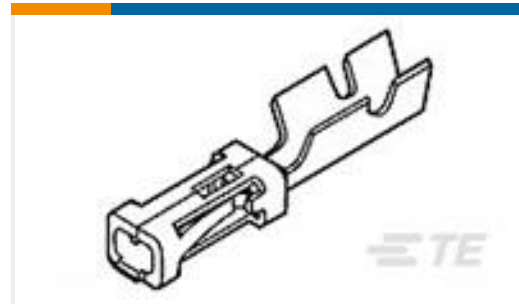
TE Part #165565-1
2,8 PIDG FASTON REC



TE Part #5070014013
RNF-100-3/64-X-SP



TE Part #EC0021-000
05801303



TE Part #1-87309-4
MOD V RECP LP



TE Part #4-1437565-9
FSM6JSMA=SMT,TACTILE,PB SWITCH



TE Part #5053442012
RNF-100-3-0-STK



TE Part #EC0039-000
05801808



TE Part #EC0605-000
06161923



TE Part #EC0018-000
05801000



TE Part #EC0240-000
05811927

Documents

Product Drawings

05801404

English

Datasheets & Catalog Pages

IDENTIFICATION SELECTION GUIDE

English

Z-type Wire & Cable Markers

English



Z-TYPE Marker Technical datasheet

English

Product Specifications

[RW-2535 Specification for Pre-Printed Markers](#)

English