

Fixed Coaxial Attenuators Model 45 and Model 58

High Power, N or SMK Connectors
Convection Cooled

RoHS

**dc to 1.5 GHz
dc to 6.0 GHz
250 Watts**

Features

- Quality connectors with special high temperature support beads
- Designed to meet environmental requirements of MIL-DTL-3933

Specifications

Nominal Impedance: 50 Ω

Frequency Range: Model 45: dc to 1.5 GHz
Model 58: dc to 6.0 GHz

Maximum Deviation Over Frequency:

Nominal ATTN (dB)	Deviation (dB)		
	45	58	58 LIM
3, 6	± 0.50	± 1.50	---
10, 20	± 0.50	± 1.50	± 2.00
30, 40	± 0.50	± 1.75	± 3.00

Maximum SWR:

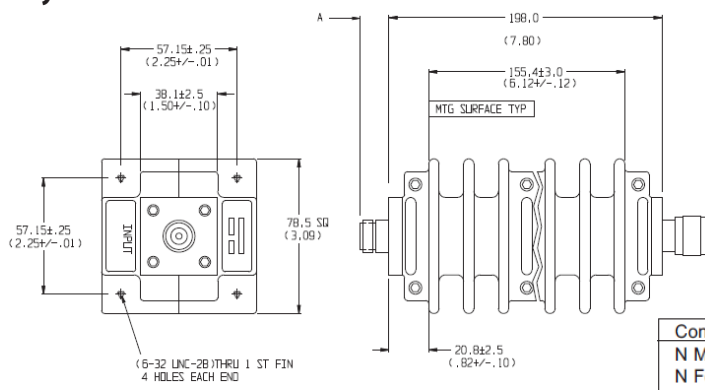
Frequency (GHz)	45/58		58 LIM	
	Input	Output	Input	Output
dc - 2 (1.5*)	1.10	1.20 (1.10*)	1.20	1.25
2 - 6	1.15	1.25	1.20	1.25

*Model 45 only!

3rd Order Intermodulation (58-Xx-Xx-Lim Only):

Reflected Levels (IM3), -100 & Through Levels (IM3), -110 dBc with two input signals @ 869 MHz and 891 MHz with average carrier power levels of +43 dBm each.

Physical Dimensions:



Power Rating (Mounted Horizontally With Fins

Vertical): 250 watts average (unidirectional) to 55°C ambient temperature, derated linearly to 25 watts @ 125°C. 10 kilowatt peak (5 µsec pulse width; 1.25% duty cycle). Maximum power rating into output port is 50 watts average.

Power Coefficient: <0.0001 dB/dB/watt

Temperature Coefficient: <0.0004 dB/dB/°C

Temperature Range: -55°C to 125°C

Test Data: Swept data plots of attenuation and SWR from 50 MHz to 1.5 / 6 GHz.

Connectors: Type N connectors per MIL-STD-348

interface dimensions - mate nondestructively with MIL-C-39012 connectors. SMK (2.92mm) connectors - mate nondestructively with SMA per MIL-C-39012, 3.5mm, SMK, and other 2.92mm connectors.

Options	Descriptions	Options	Descriptions
1	SMK Female	3	Type N Female
2	SMK Male	4	Type N Male

Weight: 1,530 g (6 lbs, 3 oz.) maximum

Connector	DIM A	Connector	DIM A
N Male	22.9 (0.90)	2.92mm Male	14.0 (0.55)
N Female	15.0 (0.59)	2.92mm Female	12.7 (0.50)

NOTE: All dimensions are given in mm (inches) and are maximum, unless otherwise specified.

Fixed Coaxial Attenuators Model 45 and Model 58

*High Power, N or SMK Connectors
Convection Cooled*

**dc to 1.5 GHz
dc to 6.0 GHz
250 Watts**

Model Number Description:

Example: **58 - XX - XX - LIM**

Basic Model Number Attenuation Value (dB) Connector Options:
1st digit is input side
2nd digit is output side

IM Option*

* Add -LIM for Low Intermodulation option. Option only available with Model 58 in 10, 20, 30, 40 dB and is not available through Express.