

5786144-1 ✓ ACTIVE



AMPLIMITE

TE Internal #: 5786144-1

PCB D-Sub Connectors, Receptacle, Board-to-Board, 15 Position,
2.74 mm [.108 in] Centerline, 2 Row, 2 Connector Shell Size,
Standard Profile, Vertical

[View on TE.com >](#)

[Connectors >](#) [D-Shaped Connectors >](#) [D-Sub Connectors >](#) [PCB D-Sub Connectors >](#)

[D-Sub Receptacle Assembly: Vertical, Action Pin, Shell Size 2, 2.74mm](#)



Connector & Housing Type: **Receptacle**

Connector System: **Board-to-Board**

Number of Positions: **15**

Centerline (Pitch): **2.74 mm [.108 in]**

Number of Rows: **2**

[All D-Sub Receptacle Assembly: Vertical, Action Pin, Shell Size 2, 2.74mm \(7\)](#)

Features

Product Type Features

Shell Material Configuration	Front Metal Shell
Connector & Housing Type	Receptacle
Connector System	Board-to-Board
Connector Shell Size	2
Connector & Contact Terminates To	Printed Circuit Board

Configuration Features

Number of Positions	15
Number of Rows	2
PCB Mount Orientation	Vertical

Body Features

Mating Feature Material	Brass
Shell Plating Material	Tin over Copper
Primary Product Color	Black
Connector Profile	Standard

Contact Features

	30 μ m
--	------------



Contact Mating Area Plating Material	Gold
Contact Underplating Material	Nickel, Palladium Nickel
PCB Contact Termination Area Plating Material	Tin
Contact Base Material	Copper Alloy

Termination Features

Rectangular Termination Post & Tail Thickness	.63 mm[.025 in]
Rectangular Termination Post & Tail Width	.86 mm[.034 in]
Termination Post & Tail Length	5.8 mm[.228 in]
Termination Method to Printed Circuit Board	Through Hole - Press-Fit

Mechanical Attachment

Mounting Hole Diameter	3.05 mm[.12 in]
PCB Mount Retention	With
PCB Mount Retention Type	Action/Compliant Tail, Mounting Hole
Mating Retention	With
Mating Retention Type	Female Screwlocks, Fixed
Connector Mounting Type	Board Mount

Housing Features

Shell Material	Carbon Steel
Housing Material	Nylon GF, Polyester GF
Centerline (Pitch)	2.74 mm[.108 in]

Dimensions

PCB Thickness (Recommended)	1.57 mm, 2.36 mm[.062 in][.093 in]
Row-to-Row Spacing	2.84 mm[.112 in]

Usage Conditions

Operating Temperature Range	-55 – 105 °C[-67 – 221 °F]
-----------------------------	----------------------------

Operation/Application

Circuit Application	Signal
---------------------	--------

Industry Standards

UL Flammability Rating	UL 94V-0
------------------------	----------

Packaging Features

Packaging Quantity	104
Packaging Method	Tray



Product Compliance

[For compliance documentation, visit the product page on TE.com>](#)

EU RoHS Directive 2011/65/EU	Compliant with Exemptions
EU ELV Directive 2000/53/EC	Compliant with Exemptions
China RoHS 2 Directive MIIT Order No 32, 2016	Restricted Materials Above Threshold
EU REACH Regulation (EC) No. 1907/2006	Current ECHA Candidate List: JUNE 2023 (235) Candidate List Declared Against: JUNE 2023 (235) SVHC > Threshold: Pb (3.7% in Component Part) Article Safe Usage Statements: Do not eat, drink or smoke when using this product. Wash thoroughly after handling. Recycle if possible and dispose of the article by following all applicable governmental regulations relevant to your geographic location.
Halogen Content	Not Low Halogen - contains Br or Cl > 900 ppm.
Solder Process Capability	Not applicable for solder process capability

Product Compliance Disclaimer

This information is provided based on reasonable inquiry of our suppliers and represents our current actual knowledge based on the information they provided. This information is subject to change. The part numbers that TE has identified as EU RoHS compliant have a maximum concentration of 0.1% by weight in homogenous materials for lead, hexavalent chromium, mercury, PBB, PBDE, DBP, BBP, DEHP, DIBP, and 0.01% for cadmium, or qualify for an exemption to these limits as defined in the Annexes of Directive 2011/65/EU (RoHS2). Finished electrical and electronic equipment products will be CE marked as required by Directive 2011/65/EU. Components may not be CE marked. Additionally, the part numbers that TE has identified as EU ELV compliant have a maximum concentration of 0.1% by weight in homogenous materials for lead, hexavalent chromium, and mercury, and 0.01% for cadmium, or qualify for an exemption to these limits as defined in the Annexes of Directive 2000/53/EC (ELV). Regarding the REACH Regulation, the information TE provides on SVHC in articles for this part number is based on the latest European Chemicals Agency (ECHA) 'Guidance on requirements for substances in articles' posted at this URL: <https://echa.europa.eu/guidance-documents/guidance-on-reach>

Compatible Parts

 <p>TE Part # CAT-AM7-H3 IDC D-Sub: Plug Assembly, Low Profile, Signal, 2.77 mm</p>	 <p>TE Part # 1-745494-5 15 HDE MS PLUG,22-26,LEAD FREE</p>	 <p>TE Part # 1-745494-7 PLUG ASSY,15P,HDE,MS</p>	 <p>TE Part # 206509-1 SIZE 20 KEYING PLUG</p>
--	---	--	---

Customers Also Bought



TE Part #DT04-2P
REC, 2P, GRY, N



TE Part #DT06-2S
PLG, 2P, GRY, N



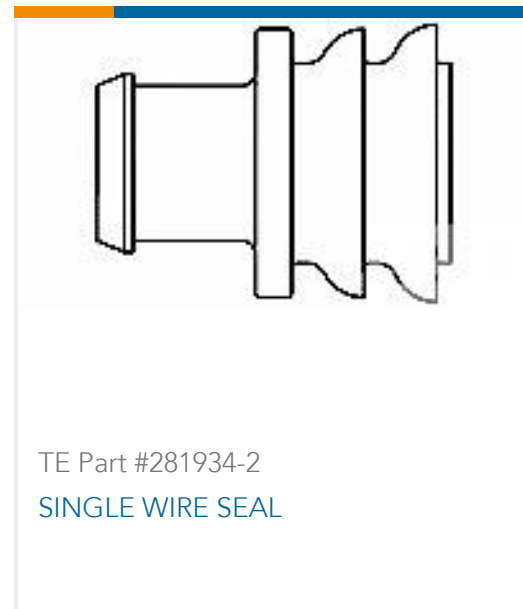
TE Part #W2S
Wedgelocks: DEUTSCH DT



TE Part #0462-201-16141
DEUTSCH Solid Contacts



TE Part #282104-1
AMP SUPERSEAL 1.5MM,
CONNECTOR HOUSING



TE Part #281934-2
SINGLE WIRE SEAL

Documents

Product Drawings

[15 RCPT ACT PIN/MS SCRLK](#)

English

CAD Files

Customer View Model

[ENG_CVM_CVM_5786144-1_B.2d_dxf.zip](#)

English

[3D PDF](#)

3D

Customer View Model

[ENG_CVM_CVM_5786144-1_B.3d_igs.zip](#)

English

Customer View Model

[ENG_CVM_CVM_5786144-1_B.3d_stp.zip](#)

English

By downloading the CAD file I accept and agree to the [Terms and Conditions](#) of use.

Product Specifications

[Application Specification](#)

English

Agency Approvals

[UL Report](#)

English