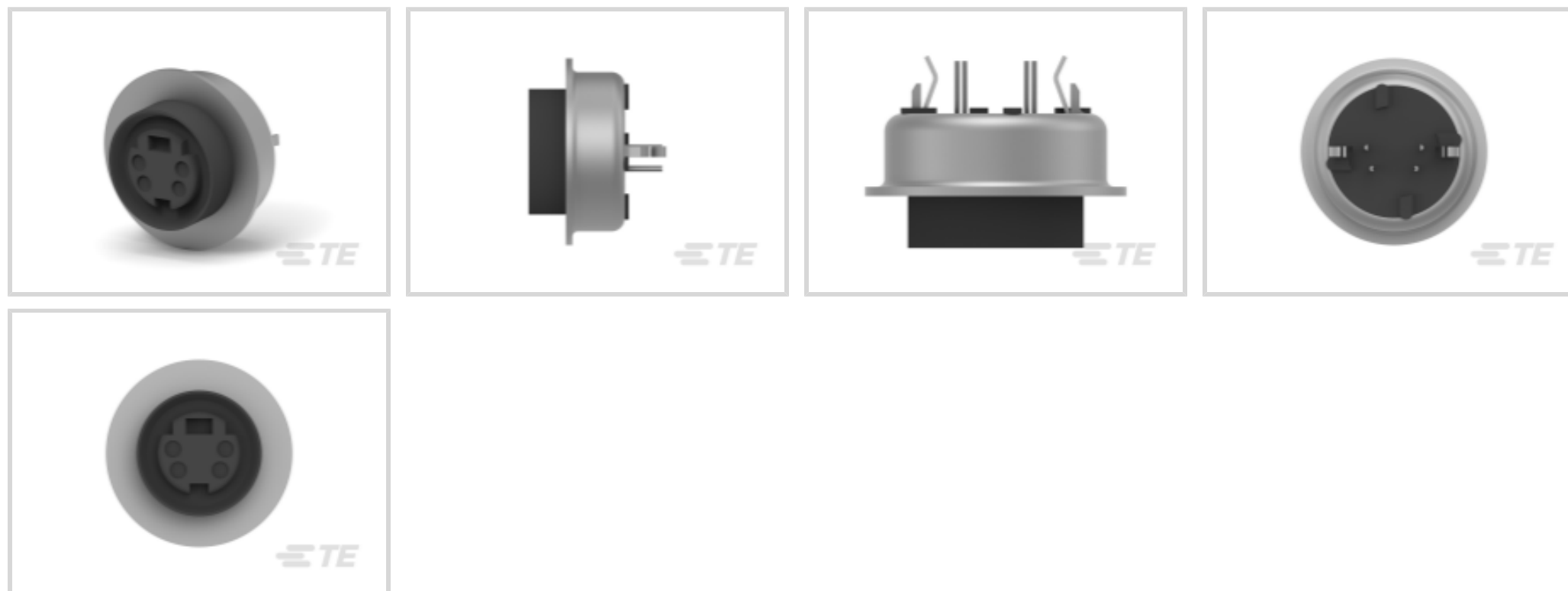




Connectors > Circular Connectors > DIN Connectors



Circular DIN Connector Type: **Mini DIN**

Connector System: **Wire-to-Board**

Number of Positions: **4**

Connector Contact Load Condition: **Fully Loaded**

Mating Alignment Type: **Polarization**

## Features

### Product Type Features

Circular DIN Connector Type	Mini DIN
Connector System	Wire-to-Board
Connector & Contact Terminates To	Printed Circuit Board

### Configuration Features

PCB Mount Orientation	Vertical
Number of Positions	4
Connector Contact Load Condition	Fully Loaded

### Electrical Characteristics

Operating Voltage	30 VAC
-------------------	--------

### Body Features

Panel Ground Feature Type	None
Shield Plating Thickness	3.81 $\mu$ m, 5.08 $\mu$ m[150 $\mu$ in][200 $\mu$ in]
Shield Underplate Material	Nickel
Shield Plating Finish	Bright
Shield Underplate Thickness	1.27 $\mu$ m[50 $\mu$ in]
Shield Plating Material	Tin over Nickel

Shield Material	Brass
Primary Product Color	Black

### Contact Features

PCB Contact Termination Area Plating Material Thickness	2.54 $\mu\text{m}$ , 3.81 $\mu\text{m}$ [100 $\mu\text{in}$ ][150 $\mu\text{in}$ ]
Contact Layout	Staggered
Contact Underplating Material Thickness	1.27 $\mu\text{m}$ [50 $\mu\text{in}$ ]
Contact Mating Area Plating Material Thickness	.76 $\mu\text{m}$ [30 $\mu\text{in}$ ]
Contact Mating Area Plating Material	Gold
PCB Contact Termination Area Plating Material Finish	Matte
Contact Shape & Form	Tuning Fork
Contact Underplating Material	Nickel
PCB Contact Termination Area Plating Material	Tin
Contact Base Material	Phosphor Bronze
Contact Current Rating (Max)	.5 A

### Termination Features

Termination Post & Tail Length	3.18 mm[.125 in]
Termination Method to Printed Circuit Board	Through Hole - Solder

### Mechanical Attachment

PCB Mount Alignment Type	Hold-Down
Mating Alignment	With
PCB Mount Alignment	With
Panel Mount Feature	With
Panel Mount Feature Type	Screw Nut
Mating Alignment Type	Polarization
PCB Mount Retention	With
PCB Mount Retention Type	Kinked Legs
Connector Mounting Type	Board Mount

### Housing Features

Housing Material	Thermoplastic
Centerline (Pitch)	6.5 mm[.26 in]

### Dimensions

Connector Height	13.08 mm[.51 in]
------------------	------------------

PCB Thickness (Recommended)	2.68 mm[.11 in]
-----------------------------	-----------------

Product Width	17.78 mm[.7 in]
---------------	-----------------

Product Length	22.61 mm[.89 in]
----------------	------------------

### Usage Conditions

Operating Temperature Range	-55 – 105 °C[-67 – 221 °F]
-----------------------------	----------------------------

### Operation/Application

Shielded	Yes
----------	-----

Circuit Application	Signal
---------------------	--------

### Industry Standards

UL Flammability Rating	UL 94V-0
------------------------	----------

### Packaging Features

Packaging Quantity	60
--------------------	----

Packaging Method	Tray
------------------	------

### Product Compliance

[For compliance documentation, visit the product page on TE.com>](#)

EU RoHS Directive 2011/65/EU	Compliant
------------------------------	-----------

EU ELV Directive 2000/53/EC	Compliant
-----------------------------	-----------

China RoHS 2 Directive MIIT Order No 32, 2016	No Restricted Materials Above Threshold
---	---

EU REACH Regulation (EC) No. 1907/2006	Current ECHA Candidate List: JUNE 2024 (241) Candidate List Declared Against: JUNE 2022 (224) Does not contain REACH SVHC
--	---

Halogen Content	Low Halogen - Br, Cl, F, I < 900 ppm per homogenous material. Also BFR/CFR/PVC Free
-----------------	---

Solder Process Capability	Wave solder capable to 265°C
---------------------------	------------------------------

#### Product Compliance Disclaimer

This information is provided based on reasonable inquiry of our suppliers and represents our current actual knowledge based on the information they provided. This information is subject to change. The part numbers that TE has identified as EU RoHS compliant have a maximum concentration of 0.1% by weight in homogenous materials for lead, hexavalent chromium, mercury, PBB, PBDE, DBP, BBP, DEHP, DIBP, and 0.01% for cadmium, or qualify for an exemption to these limits as defined in the Annexes of Directive 2011/65/EU (RoHS2). Finished electrical and electronic equipment products will be CE marked as required by Directive 2011/65/EU. Components may not be CE marked. Additionally, the part numbers that TE has identified as EU ELV compliant have a maximum concentration of 0.1% by weight in homogenous materials for lead, hexavalent chromium, and mercury, and 0.01% for cadmium, or qualify for an exemption to these limits as defined in the Annexes of Directive 2000/53/EC (ELV). Regarding the REACH Regulation, the information TE provides on SVHC in articles for this part number is based on the latest European Chemicals Agency (ECHA) 'Guidance on

requirements for substances in articles' posted at this URL: <https://echa.europa.eu/guidance-documents/guidance-on-reach>

## Customers Also Bought



TE Part #5750678-1  
09 RCPT SP/FMS (RET SL)



TE Part #1-1622820-8  
3520 1R0 5%



TE Part #1-1337481-0  
SMB R/A PCB Skt 50Ohm Gold Plt



TE Part #2-1437565-7  
FSM2JSMA=SMT,TACTILE,PB SWITCH



TE Part #5103308-1  
A/L LOW PRO HDR 10P VERT BLACK



TE Part #1-1571983-1  
GDH08STR04=DIP SWITCH



TE Part #1734327-2  
MINI USB, TYPE A, R/A, SMT



TE Part #4-1825059-2  
ADF08STTR04=DIP S,FLUSH,SMT-GW



TE Part #292304-1  
STD USB TYPE B, R/A, T/H



TE Part #6-1393238-2  
RTD14012

## Documents

### Product Drawings

Mini DIN, 4 pos, Vertical, Shield

English

### CAD Files

Customer View Model

[ENG\\_CVM\\_CVM\\_5750317-2\\_O.2d\\_dxf.zip](#)

English

### 3D PDF

3D

Customer View Model

[ENG\\_CVM\\_CVM\\_5750317-2\\_O.3d\\_igs.zip](#)

English

Customer View Model



[ENG\\_CVM\\_CVM\\_5750317-2\\_O.3d\\_stp.zip](#)

English

By downloading the CAD file I accept and agree to the [Terms and Conditions](#) of use.

[Product Specifications](#)

[Application Specification](#)

English