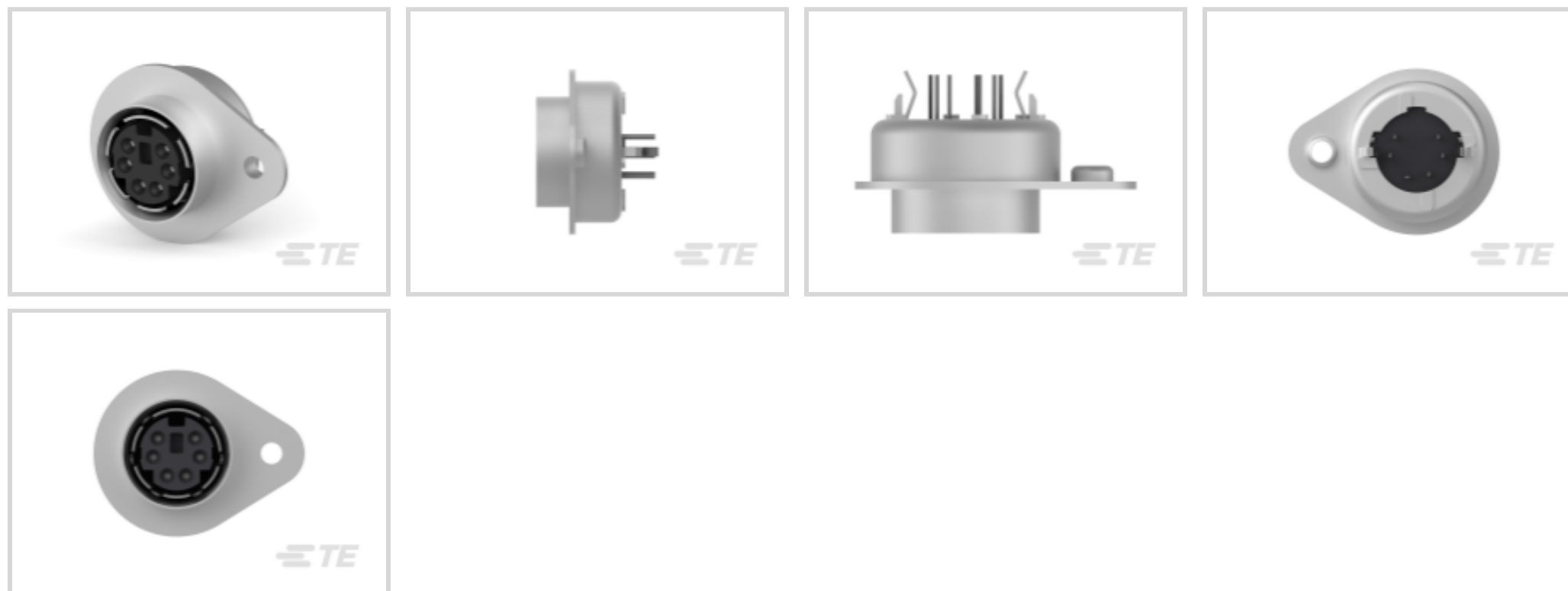




Connectors > Circular Connectors > DIN Connectors



Circular DIN Connector Type: **Mini DIN**

Connector System: **Wire-to-Board**

Number of Positions: **6**

Connector Contact Load Condition: **Fully Loaded**

Mating Alignment Type: **Polarization**

Features

Product Type Features

| | |
|-----------------------------------|-----------------------|
| Circular DIN Connector Type | Mini DIN |
| Connector System | Wire-to-Board |
| Connector & Contact Terminates To | Printed Circuit Board |

Configuration Features

| | |
|----------------------------------|--------------|
| PCB Mount Orientation | Vertical |
| Number of Positions | 6 |
| Connector Contact Load Condition | Fully Loaded |

Electrical Characteristics

| | |
|-------------------|--------|
| Operating Voltage | 30 VAC |
|-------------------|--------|

Body Features

| | |
|-----------------------------|--|
| Panel Ground Feature Type | Flange |
| Shield Plating Thickness | 3.81 μ m, 5.08 μ m[150 μ in][200 μ in] |
| Shield Underplate Material | Nickel |
| Shield Plating Finish | Bright |
| Shield Underplate Thickness | 1.27 μ m[50 μ in] |
| Shield Plating Material | Tin over Nickel |

| | |
|-----------------------|-------|
| Shield Material | Brass |
| Primary Product Color | Black |

Contact Features

| | |
|---|--|
| PCB Contact Termination Area Plating Material Thickness | 2.54 μm , 3.81 μm [100 μin][150 μin] |
| Contact Layout | Staggered |
| Contact Underplating Material Thickness | 1.27 μm [50 μin] |
| Contact Mating Area Plating Material Thickness | .76 μm [30 μin] |
| Contact Mating Area Plating Material | Gold |
| PCB Contact Termination Area Plating Material Finish | Matte |
| Contact Shape & Form | Tuning Fork |
| Contact Underplating Material | Nickel |
| PCB Contact Termination Area Plating Material | Tin |
| Contact Base Material | Phosphor Bronze |
| Contact Current Rating (Max) | .5 A |

Termination Features

| | |
|---|-----------------------|
| Termination Post & Tail Length | 3.18 mm[.125 in] |
| Termination Method to Printed Circuit Board | Through Hole - Solder |

Mechanical Attachment

| | |
|--------------------------|--------------|
| PCB Mount Alignment Type | Hold-Down |
| Mating Alignment | With |
| PCB Mount Alignment | With |
| Panel Mount Feature | With |
| Panel Mount Feature Type | Screw Nut |
| Mating Alignment Type | Polarization |
| PCB Mount Retention | With |
| PCB Mount Retention Type | Kinked Legs |
| Connector Mounting Type | Board Mount |

Housing Features

| | |
|--------------------|----------------|
| Housing Material | Thermoplastic |
| Centerline (Pitch) | 6.5 mm[.26 in] |

Dimensions

| | |
|------------------|------------------|
| Connector Height | 13.08 mm[.51 in] |
|------------------|------------------|

| | |
|-----------------------------|-----------------|
| PCB Thickness (Recommended) | 2.68 mm[.11 in] |
|-----------------------------|-----------------|

| | |
|---------------|-----------------|
| Product Width | 17.78 mm[.7 in] |
|---------------|-----------------|

| | |
|----------------|------------------|
| Product Length | 22.61 mm[.89 in] |
|----------------|------------------|

Usage Conditions

| | |
|-----------------------------|----------------------------|
| Operating Temperature Range | -55 – 105 °C[-67 – 221 °F] |
|-----------------------------|----------------------------|

Operation/Application

| | |
|----------|-----|
| Shielded | Yes |
|----------|-----|

| | |
|---------------------|--------|
| Circuit Application | Signal |
|---------------------|--------|

Industry Standards

| | |
|------------------------|----------|
| UL Flammability Rating | UL 94V-0 |
|------------------------|----------|

Packaging Features

| | |
|--------------------|----|
| Packaging Quantity | 24 |
|--------------------|----|

| | |
|------------------|------|
| Packaging Method | Tube |
|------------------|------|

Product Compliance

[For compliance documentation, visit the product page on TE.com>](#)

| | |
|------------------------------|-----------|
| EU RoHS Directive 2011/65/EU | Compliant |
|------------------------------|-----------|

| | |
|-----------------------------|-----------|
| EU ELV Directive 2000/53/EC | Compliant |
|-----------------------------|-----------|

| | |
|---|---|
| China RoHS 2 Directive MIIT Order No 32, 2016 | No Restricted Materials Above Threshold |
|---|---|

| | |
|--|---|
| EU REACH Regulation (EC) No. 1907/2006 | Current ECHA Candidate List: JUNE 2024 (241) Candidate List Declared Against: JUNE 2022 (224) Does not contain REACH SVHC |
|--|---|

| | |
|-----------------|---|
| Halogen Content | Low Halogen - Br, Cl, F, I < 900 ppm per homogenous material. Also BFR/CFR/PVC Free |
|-----------------|---|

| | |
|---------------------------|------------------------------|
| Solder Process Capability | Wave solder capable to 265°C |
|---------------------------|------------------------------|

Product Compliance Disclaimer

This information is provided based on reasonable inquiry of our suppliers and represents our current actual knowledge based on the information they provided. This information is subject to change. The part numbers that TE has identified as EU RoHS compliant have a maximum concentration of 0.1% by weight in homogenous materials for lead, hexavalent chromium, mercury, PBB, PBDE, DBP, BBP, DEHP, DIBP, and 0.01% for cadmium, or qualify for an exemption to these limits as defined in the Annexes of Directive 2011/65/EU (RoHS2). Finished electrical and electronic equipment products will be CE marked as required by Directive 2011/65/EU. Components may not be CE marked. Additionally, the part numbers that TE has identified as EU ELV compliant have a maximum concentration of 0.1% by weight in homogenous materials for lead, hexavalent chromium, and mercury, and 0.01% for cadmium, or qualify for an exemption to these limits as defined in the Annexes of Directive 2000/53/EC (ELV). Regarding the REACH Regulation, the information TE provides on SVHC in articles for this part number is based on the latest European Chemicals Agency (ECHA) 'Guidance on

requirements for substances in articles' posted at this URL: <https://echa.europa.eu/guidance-documents/guidance-on-reach>

Customers Also Bought



Documents

CAD Files

3D PDF

3D

Customer View Model

[ENG_CVM_CVM_5750131-2_O.2d_dxf.zip](#)

English

Customer View Model

[ENG_CVM_CVM_5750131-2_O.3d_igs.zip](#)

English

Customer View Model

[ENG_CVM_CVM_5750131-2_O.3d_stp.zip](#)

English

By downloading the CAD file I accept and agree to the [Terms and Conditions](#) of use.



[Product Specifications](#)

[Application Specification](#)

English