



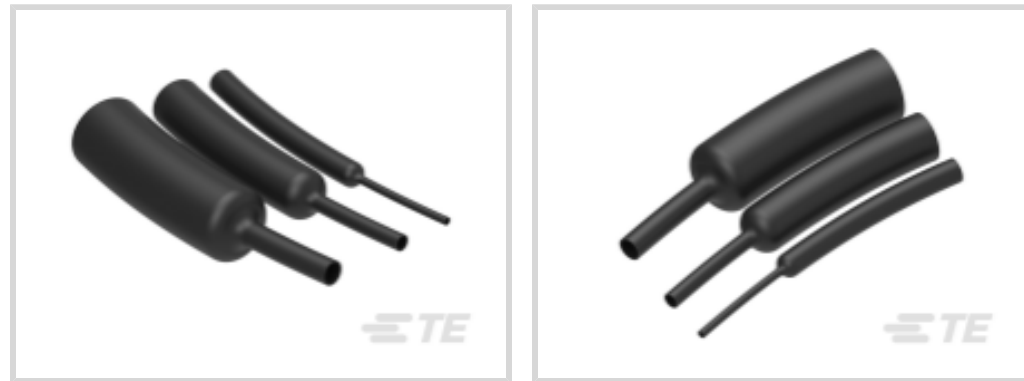
RAYCHEM | RAYCHEM RNF-3000

TE Internal #: 5677614009

Black, 3:1, Single Wall Tubing, Shrinks To .512 in [13 mm], Irradiated Modified Polyolefin, 1.534 in [39 mm] Inner Diameter, RAYCHEM RNF-3000

[View on TE.com >](#)

Heat Shrink Tubing > RNF-3000 Heat Shrink Tubing



Primary Product Color: **Black**

Wall Type: **Single Wall**

Expanded Inside Diameter (Min): **39 mm [ 1.534 in ]**

Recovered Inside Diameter (Max): **13 mm [ .512 in ]**

Shrink Ratio: **3:1**

[All RNF-3000 Heat Shrink Tubing \(209\)](#)

## Features

### Product Type Features

Wall Type	Single Wall
-----------	-------------

### Electrical Characteristics

Operating Voltage (Max)	.6 kV
-------------------------	-------

### Body Features

Fluid Type	Gasoline, Hydraulic Fluid, Lubricating Oil, Water
Primary Product Color	Black
Shrink Ratio	3:1
Primary Product Material	Irradiated Modified Polyolefin
Flexibility	Flexible

### Dimensions

Recovered Wall Thickness (Tolerance)	.2 mm[.008 in]
Recovered Wall Thickness (Nominal)	1.15 mm[.045 in]
Expanded Inside Diameter (Min)	39 mm[1.534 in]
Recovered Inside Diameter (Max)	13 mm[.512 in]
Tubing Size Range	13 – 39 mm[.512 – 1.534 in]



### Usage Conditions

Shrink Temperature (Min)	80 °C
Tubing Flammability Type	Flame-Retardant
Operating Temperature Range	-55 – 135 °C
Recovery Temperature	120 °C

### Operation/Application

Mechanical Resistance	Abrasion, Fluids, Mechanical Damage, Strain Relief
-----------------------	--

### Product Availability

Applicable Region	Global
-------------------	--------

### Packaging Features

Packaging Method	Box
------------------	-----

### Other

Meets Low Outgassing Requirements	No
Product Source	Czech Republic

### Product Compliance

[For compliance documentation, visit the product page on TE.com>](#)

EU RoHS Directive 2011/65/EU	Compliant
EU ELV Directive 2000/53/EC	Compliant
China RoHS 2 Directive MIIT Order No 32, 2016	No Restricted Materials Above Threshold
EU REACH Regulation (EC) No. 1907/2006	Current ECHA Candidate List: JAN 2024 (240) Candidate List Declared Against: JAN 2024 (240) Does not contain REACH SVHC
Halogen Content	Not Low Halogen - contains Br or Cl > 900 ppm.
Solder Process Capability	Not applicable for solder process capability

#### Product Compliance Disclaimer

This information is provided based on reasonable inquiry of our suppliers and represents our current actual knowledge based on the information they provided. This information is subject to change. The part numbers that TE has identified as EU RoHS compliant have a maximum concentration of 0.1% by weight in homogenous materials for lead, hexavalent chromium, mercury, PBB, PBDE, DBP, BBP, DEHP, DIBP, and 0.01% for cadmium, or qualify for an exemption to these limits as defined in the Annexes of Directive 2011/65/EU (RoHS2). Finished electrical and electronic equipment products will be CE marked as required by Directive 2011/65/EU. Components may not be CE marked. Additionally, the part numbers that TE has identified as EU ELV compliant have a maximum concentration of 0.1% by weight in homogenous materials for lead, hexavalent chromium, and mercury, and 0.01% for cadmium, or qualify for an exemption to these limits

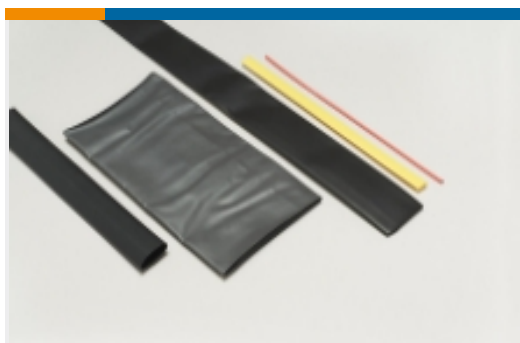
as defined in the Annexes of Directive 2000/53/EC (ELV). Regarding the REACH Regulation, the information TE provides on SVHC in articles for this part number is based on the latest European Chemicals Agency (ECHA) 'Guidance on requirements for substances in articles' posted at this URL: <https://echa.europa.eu/guidance-documents/guidance-on-reach>

## Compatible Parts



TE Part # EG1114-000  
CV1981-ST-230V1600W-EU

## Also in the Series | RAYCHEM RNF-3000

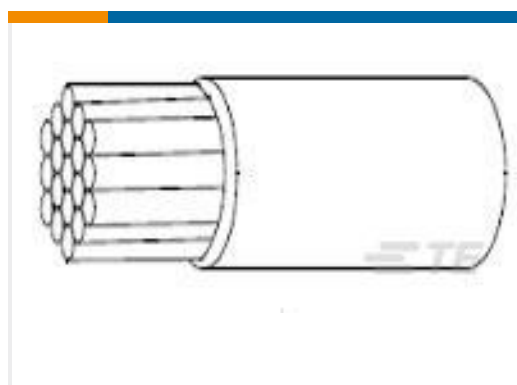


Heat Shrink Tubing(209)

## Customers Also Bought



TE Part #5754853001  
55K9083-24-2/6/4



TE Part #3119313001  
55K9081-18-9



TE Part #AS112-35SN-993W  
RECEP.CABLE COUP.TYPE 1



TE Part #AS612-35PN-993V  
PLUG BOOT TERMIN TYPE 6.NO  
COUPLING R NO



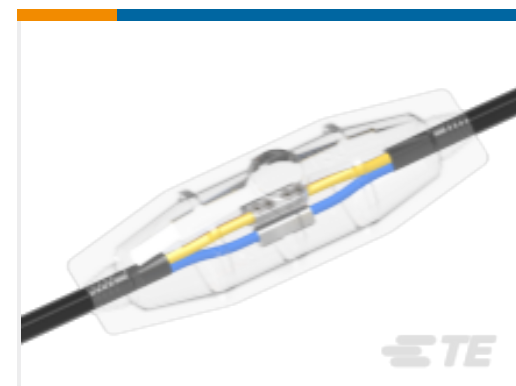
TE Part #K1152921  
Limit switch G13-01-1819



TE Part #ZPF00000000014049  
DBAS 79-3-0 SN-A5884



TE Part #652973-514  
SMOE-62626



TE Part #EB6971-000  
BAH-019000006

## Documents



### Product Drawings

[RNF-3000-39/13-0-SP](#)

English

---

### Datasheets & Catalog Pages

[RNF-3000 Pages from 9-1773447-9](#)

English

---

### Product Specifications

[Application Specification](#)

English