

5646529-1 ✓ ACTIVE

Z-PACK | Z-PACK 2mm HM

TE Internal #: 5646529-1

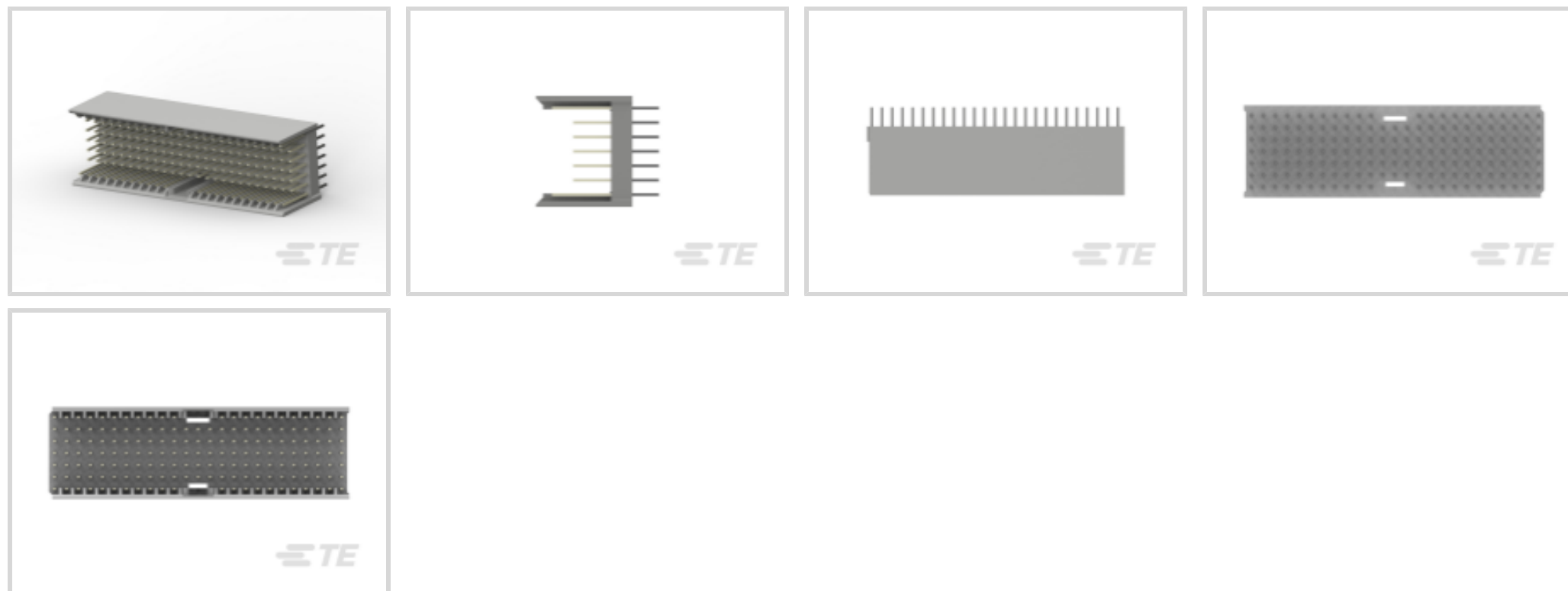
Hard Metric Backplane Connectors, PCB Mount Header, 1 Gb/s, 25 Column, 7 Row, Traditional Backplane, 169 Position, Z-PACK 2mm HM

[View on TE.com >](#)



[Connectors >](#) [PCB Connectors >](#) [Backplane Connectors >](#) [Hard Metric Backplane Connectors >](#)

Hard Metric Male Connector: Traditional Backplane, Mezzanine, 2mm



PCB Connector Assembly Type: **PCB Mount Header**

Data Rate: **1 Gb/s**

Number of Columns: **25**

Number of Rows: **7**

Backplane Architecture: **Traditional Backplane**

[All Hard Metric Male Connector: Traditional Backplane, Mezzanine, 2mm \(124\)](#)

Features

Product Type Features

Connector System	Board-to-Board
Connector & Contact Terminates To	Printed Circuit Board
PCB Connector Assembly Type	PCB Mount Header
Sealable	No

Configuration Features

Number of Columns	25
Number of Rows	7
Backplane Architecture	Traditional Backplane
Number of Positions	169
PCB Mount Orientation	Vertical

Signal Characteristics

Data Rate	1 Gb/s
-----------	--------



Body Features

Primary Product Color	Gray
-----------------------	------

Contact Features

CompactPCI Designation	None
Contact Type	Pin
Contact Mating Area Plating Material	Tin
Contact Mating Area Plating Material Thickness	.5 μm [20 μin]
Contact Current Rating (Max)	1.5 A

Mechanical Attachment

Connector Mounting Type	Board Mount
-------------------------	-------------

Housing Features

Centerline (Pitch)	2 mm[.07 in]
--------------------	--------------

Usage Conditions

Operating Temperature Range	-55 – 125 $^{\circ}\text{C}$ [-67 – 257 $^{\circ}\text{F}$]
-----------------------------	--

Operation/Application

Circuit Application	Signal
---------------------	--------

Packaging Features

Packaging Method	Tube
------------------	------

Product Compliance

[For compliance documentation, visit the product page on TE.com>](#)

EU RoHS Directive 2011/65/EU	Compliant
EU ELV Directive 2000/53/EC	Compliant
China RoHS 2 Directive MIIT Order No 32, 2016	No Restricted Materials Above Threshold
EU REACH Regulation (EC) No. 1907/2006	Current ECHA Candidate List: JUNE 2024 (241) Candidate List Declared Against: JUNE 2024 (241) Does not contain REACH SVHC
Halogen Content	Not Low Halogen - contains Br or Cl > 900 ppm.
Solder Process Capability	Not applicable for solder process capability

Product Compliance Disclaimer

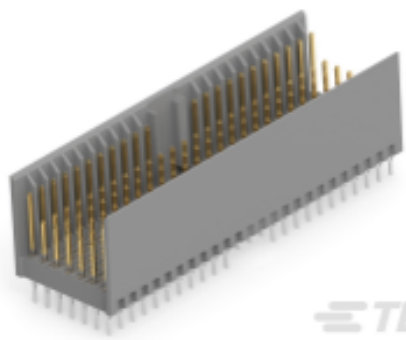


This information is provided based on reasonable inquiry of our suppliers and represents our current actual knowledge based on the information they provided. This information is subject to change. The part numbers that TE has identified as EU RoHS compliant have a maximum concentration of 0.1% by weight in homogenous materials for lead, hexavalent chromium, mercury, PBB, PBDE, DBP, BBP, DEHP, DIBP, and 0.01% for cadmium, or qualify for an exemption to these limits as defined in the Annexes of Directive 2011/65/EU (RoHS2). Finished electrical and electronic equipment products will be CE marked as required by Directive 2011/65/EU. Components may not be CE marked. Additionally, the part numbers that TE has identified as EU ELV compliant have a maximum concentration of 0.1% by weight in homogenous materials for lead, hexavalent chromium, and mercury, and 0.01% for cadmium, or qualify for an exemption to these limits as defined in the Annexes of Directive 2000/53/EC (ELV). Regarding the REACH Regulation, the information TE provides on SVHC in articles for this part number is based on the latest European Chemicals Agency (ECHA) 'Guidance on requirements for substances in articles' posted at this URL: <https://echa.europa.eu/guidance-documents/guidance-on-reach>


Compatible Parts



TE Part # 5646547-1
Z-PACK A-B 25 COLUMN SHLD ASSY

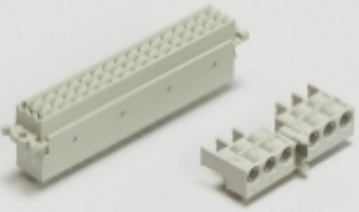


TE Part # 2392188-1
Z-PACK 2MM HM TYPE A/B 169P EON

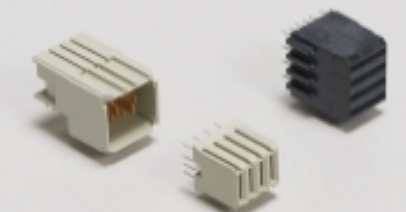


TE Part # 2170300-2
Z-PACK A/B REC ASY 125P 2MMHM


Also in the Series | Z-PACK 2mm HM




Backplane Connector Housings(4)



Backplane Power Connectors(6)



Connector Caps & Covers(62)



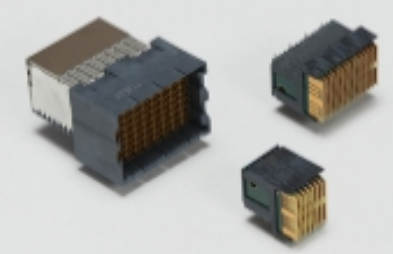
Connector Contacts(2)




Connector Hardware(97)



Hard Metric Backplane Connectors
(267)



High Speed Backplane Connectors(1)

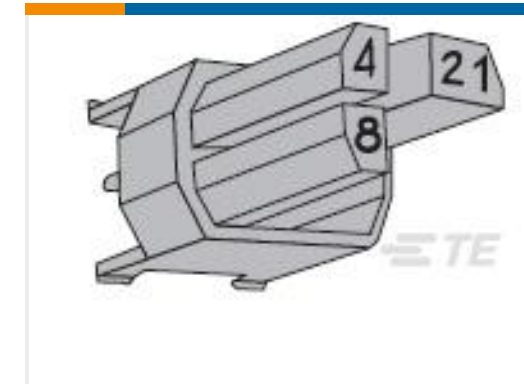


Insertion & Extraction Tools(2)



Rectangular Power Connectors(87)

Customers Also Bought

TE Part #5646487-1
HM Receptacle Connector: Traditional
Backplane, Coplanar, 2mmTE Part #5106081-1
2MM HM, HEADER, TYPE CTE Part #2205066-1
CA MICRO-MATCH MOW-MOW
16POSTE Part #100525-9
Z-PACK M.CODING KEYTE Part #6469083-1
HMZD 3PAIR, HDR ASSY, 25MM MODTE Part #2391079-1
Matenet, header, 2x2 port, code ATE Part #2822650-1
MP456P HD Receptacle Connector

Documents

Product Drawings

Z-PACK 2MM HM TYPE A/B 169P

English

CAD Files

3D PDF

3D

Customer View Model

[ENG_CVM_CVM_5646529-1_B.2d_dxf.zip](#)

English

Customer View Model

[ENG_CVM_CVM_5646529-1_B.3d_igs.zip](#)

English

Customer View Model

[ENG_CVM_CVM_5646529-1_B.3d_stp.zip](#)

English

By downloading the CAD file I accept and agree to the [Terms and Conditions](#) of use.



[Product Specifications](#)

[Application Specification](#)

English