

PLEASE CHECK WWW.MOLEX.COM FOR LATEST PART INFORMATION

Part Number: [56188-8000](#)
Status: **Active**
Description: 3.30mm Pitch Crimp Terminal 56188, Female, 22-26 AWG, Reel, for 51284/51347 Housings

Documents:

3D Model	Product Specification PS-51284-002 (PDF)
Drawing (PDF)	Product Specification PS-51347-001 (PDF)
Product Specification PS-51284-001 (PDF)	RoHS Certificate of Compliance (PDF)

General

Product Family	Crimp Terminals
Series	56188
Application	Signal
Crimp Quality Equipment	Yes
Product Name	N/A
UPC	756054152171

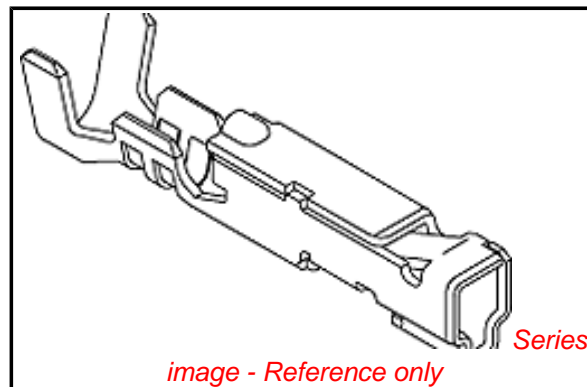
Physical

Gender	Female
Material - Metal	Phosphor Bronze
Material - Plating Mating	Tin
Material - Plating Termination	Tin
Net Weight	169.000/mg
Packaging Type	Reel
Plating min - Mating	0.889µm
Plating min - Termination	0.914µm
Termination Interface: Style	Crimp or Compression
Wire Insulation Diameter	1.70mm max.
Wire Size AWG	22, 24, 26
Wire Size mm ²	N/A

Material Info

Reference - Drawing Numbers

Product Specification	PS-51284-001, PS-51284-002, PS-51347-001, RPS-51284-003, RPS-51284-004, RPS-51284-006, RPS-51284-007, RPS-51284-008, RPS-51284-009, RPS-51284-010, RPS-51284-016, RPS-51347-004, RPS-51347-005, RPS-51347-006, RPS-51347-007
Sales Drawing	SD-56188-002



EU RoHS

ELV and RoHS Compliant
REACH SVHC Contains SVHC: No
Low-Halogen Status Low-Halogen

China RoHS



Need more information on product environmental compliance?

Email productcompliance@molex.com
 For a multiple part number RoHS Certificate of Compliance, [click here](#)

Please visit the [Contact Us](#) section for any non-product compliance questions.

Search Parts in this Series

56188Series

Mates With

56265 , 56279

Use With

51284 , 51347

Application Tooling | [FAQ](#)

Tooling specifications and manuals are found by selecting the products below. Crimp Height Specifications are then contained in the Application Tooling Specification document.

Japan

Description	Product #
Applicator for M211A	0574113000
Bench Press, 18-26 AWG Wire	