

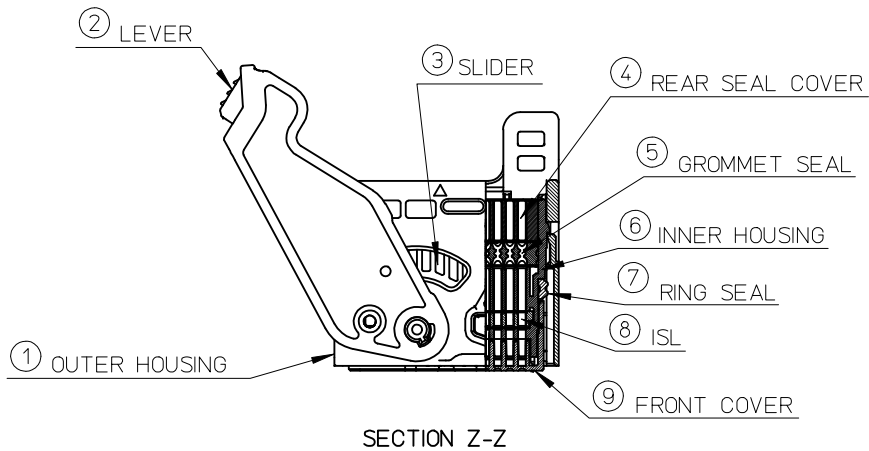
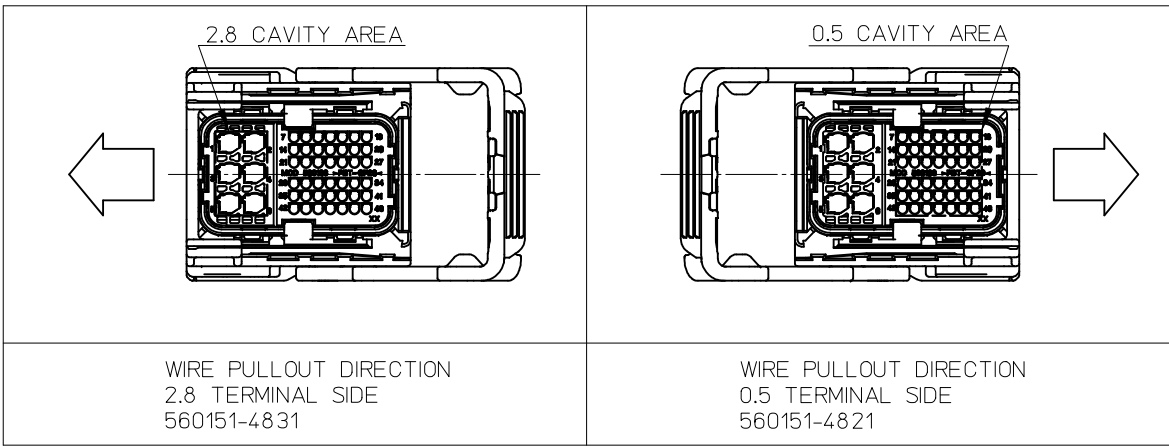
注記

NOTES

1. 一般公差  
GENERAL TOLERANCES  
  - <10: ±0.3
  - 10 ≤ <30: ±0.4
  - 30 ≤ : ±0.5
  - ANGULAR : ±5°
2. 適用端子  
APPLICABLE TERMINAL  
  - 0.5: 560121 SERIES
  - 2.8: 560122 SERIES
3. 適用電線サイズ  
APPLICABLE WIRE SIZE  
  - 0.5: REFER AS-560121-001
  - 2.8: REFER AS-560122-001
4. 適用被覆サイズ  
APPLICABLE INSULATION DIAMETER  
  - 0.5: φ1.4~1.7mm
  - 2.8: φ2.6~3.0mm
5. 適用ダミープラグ  
APPLICABLE DUMMY PLUG  
  - 0.5: 560144-0100
  - 2.8: 560145-0101
6. 適用ドレスカバー  
APPLICABLE WIRE DRESS COVER  
  - SHORT: 560189-0101
  - LONG: 560189-0111
7. ELV AND RoHS COMPLIANT

0.5 端子側 0.5 TERMINAL SIDE	560151-4821
2.8 端子側 2.8 TERMINAL SIDE	560151-4831
ワイヤー引き出し方向 WIRE PULLOUT DIRECTION	型番 MATERIAL NO.

RELEASED EC NO: JTR2016-0083 DRWN: SHSHIBATA 2016/02/08 CHYD: HKOMATSU 2016/03/30 APPR: MAYAMAMOTO 2016/03/30	QUALITY SYMBOLS F <sub>1</sub> =0 F <sub>2</sub> =0 F <sub>3</sub> =0	GENERAL TOLERANCES (UNLESS SPECIFIED)		DIMENSION STYLE	SCALE	DESIGN UNITS	THIRD ANGLE PROJECTION		
		mm	INCH	MM ONLY	1:1	METRIC	◎ □		
		4 PLACES ± --- ± ---	3 PLACES ± --- ± ---	2 PLACES ± --- ± ---	1 PLACE ± --- ± ---	0 PLACE ± --- ± ---	DRAWN BY SHSHIBATA DATE 2016/02/08		
		ANGULAR ± --- °					CHECKED BY HKOMATSU DATE 2016/02/08		
DRAFT WHERE APPLICABLE MUST REMAIN WITHIN DIMENSIONS					APPROVED BY MAYAMAMOTO DATE 2016/03/30			COMPACTUS 48WAY ASSY <b>molex</b>	
SEE CHART					MATERIAL NO. DOCUMENT NO. SD-560151-001		SHEET NO. 1 OF 2		
THIS DRAWING CONTAINS INFORMATION THAT IS PROPRIETARY TO MOLEX INCORPORATED AND SHOULD NOT BE USED WITHOUT WRITTEN PERMISSION									



PART NAME	MATERIAL	COLOR
① OUTER HOUSING	PBT, GLASS-FILLED	BLACK
② LEVER	PBT, GLASS-FILLED	DARK GRAY
③ SLIDER	PA, GLASS-FILLED	NATURAL (WHITE)
④ REAR SEAL COVER	PBT, GLASS-FILLED	BLACK
⑤ GROMMET SEAL	SILICONE RUBBER	LIGHT BLUE
⑥ INNER HOUSING	PBT, UNFILLED	BLACK
⑦ RING SEAL	SILICONE RUBBER	YELLOW
⑧ ISL	PBT, GLASS-FILLED	NATURAL (WHITE)
⑨ FRONT COVER	PBT, GLASS-FILLED	BLACK

RELEASED EC NO: JTR2016-0083 DRWN:SHSHIBATA 2016/02/08 CHKD:HKOMATSU 2016/03/30 APPR:MAYAMAMOTO 2016/03/30	QUALITY SYMBOLS	GENERAL TOLERANCES (UNLESS SPECIFIED)	DIMENSION STYLE MM ONLY	SCALE 1:1	DESIGN UNITS METRIC	THIRD ANGLE PROJECTION
	$F_A=0$	mm INCH	DRAWN BY DATE	TITLE		
	$F_C=0$	4 PLACES ± --- ± ---	SHSHIBATA 2016/02/08	COMPACTUS 48WAY ASSY		
	$F_P=0$	3 PLACES ± --- ± ---	CHECKED BY DATE			
	2 PLACES ± --- ± ---	HKOMATSU 2016/02/08				
	1 PLACE ± --- ± ---	APPROVED BY DATE	DOCUMENT NO.			
	0 PLACE ± --- ± ---	MAYAMAMOTO 2016/03/30	SD-560151-001			
	ANGULAR ± --- °	MATERIAL NO.	SHEET NO.			
	DRAFT WHERE APPLICABLE MUST REMAIN WITHIN DIMENSIONS	SEE CHART	2 OF 2			
		SIZE A3	THIS DRAWING CONTAINS INFORMATION THAT IS PROPRIETARY TO MOLEX INCORPORATED AND SHOULD NOT BE USED WITHOUT WRITTEN PERMISSION			