

PLEASE CHECK WWW.MOLEX.COM FOR LATEST PART INFORMATION

Part Number: [5601230304](#)
Status: **Active**
Overview: [DuraClik Connector System](#)
Description: [DuraClik ISL Wire-to-Board Receptacle Housing, Single Row, Blue, 3 Circuits](#)

Documents:

3D Model	Packaging Specification PK-560123-001-001 (PDF)
3D Model (PDF)	Test Summary 5601230400-TS (PDF)
Drawing (PDF)	Test Summary 5601230600-TS (PDF)
Product Specification PS-560123-001-001 (PDF)	Datasheet (PDF)
Product Specification PS-560123-003-001 (PDF)	RoHS Certificate of Compliance (PDF)
Application Specification AS-560123-001-001 (PDF)	

General

Product Family	Crimp Housings
Series	560123
Application	Automotive, Signal, Wire-to-Board
Overview	DuraClik Connector System
Product Name	DuraClik
UPC	889056617130

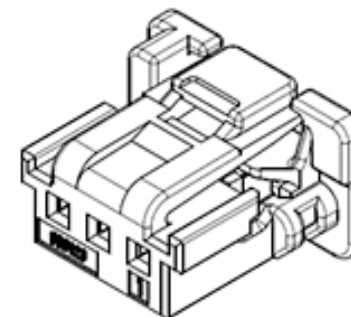
Physical

Circuits (maximum)	3
Color - Resin	Blue
Gender	Receptacle
Glow-Wire Capable	No
Keying to Mating Part	None
Lock to Mating Part	Yes
Material - Resin	PBT
Net Weight	0.219/g
Number of Rows	1
Packaging Type	Bag
Panel Mount	No
Pitch - Mating Interface	2.00mm
Polarized to Mating Part	Yes
Stackable	No
Temperature Range - Operating	-40° to +130°C

Material Info

Reference - Drawing Numbers

Application Specification	AS-560123-001-001
Packaging Specification	PK-560123-001-001
Product Specification	PS-560123-001-001, PS-560123-003-001
Sales Drawing	SD-560123-003-001
Test Summary	5601230400-TS, 5601230600-TS



Series image - Reference only

EU ELV

Compliant

EU RoHS

Compliant

REACH SVHC

Not Contained Per -
D(2020)4578-DC (25
June 2020)

Halogen-Free

Status

Not Low-Halogen

For more information, please visit [Contact US](#)

China ROHS

ELV

RoHS Phthalates

China RoHS

Green Image

Compliant

Not Contained

Search Parts in this Series

[560123 Series](#)

Mates With

DuraClik Right-Angle Header [502352](#)

DuraClik Vertical Header [560020](#)

Use With

DuraClik ISL Terminal [560124](#)
DuraClik
ISL Retainer [5601250300](#) , [5601250301](#)