



Quick Reference

Search by part #

Check distributor part inventory

Products

Browse Heat sinks

- By Device -

- By Product Line -

- Attachment Methods -

- Interface Materials -

- Accessories -

Useful Links

- [MSDS Safety Sheets](#)
- [RoHS Initiative](#)
- [Directions](#)
- [How to order?](#)
- [Find Sales Rep](#)
- [Find Distributor](#)
- [Sample Request](#)
- [Quote Request](#)
- [Catalog Request](#)
- [Building a part #](#)
- [Part # Cross Ref](#)

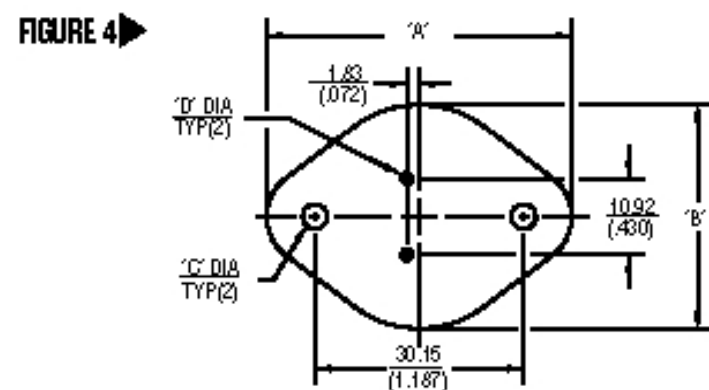
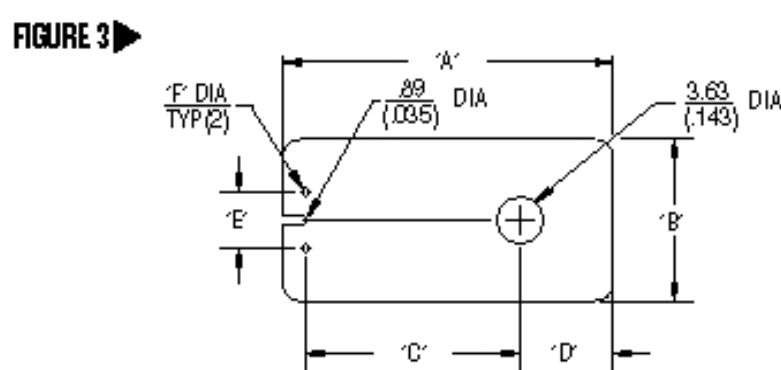
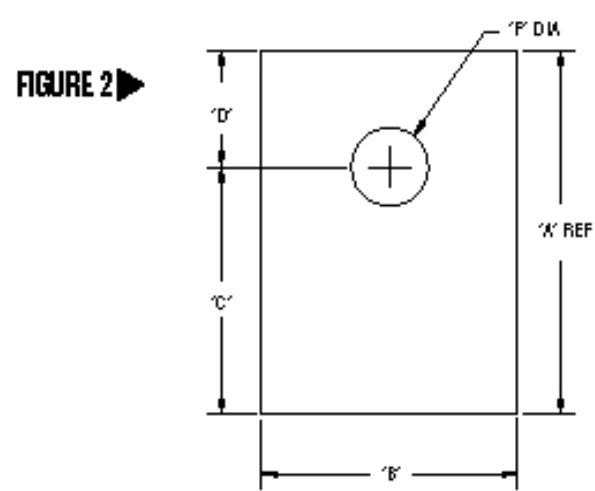
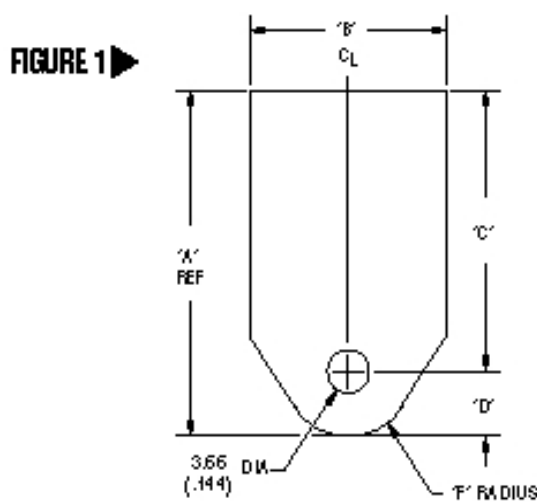
Mica

Mica insulators provide high maximum operating temperatures (550°C) and excellent electrical properties.

Part No.	RoHS	PCN	Figure	Case Style	A	B	C	D	E	F	Thickness
56-02-95	RoHS Compliant	N/A	1	TO-218	23.24 (.915)	18.80 (.740)	16.26 (.640)	6.98 (.275)	N/A	5.59 (.220)	.05/.10 (.002/.004)
56-02-101*	RoHS Compliant	N/A	2	TO-218	26.16 (1.000)	22.61 (.890)	17.91 (.705)	8.26 (.325)	N/A	11.30 (.444)	.05/.10 (.002/.004)
56-77-10	RoHS Compliant	N/A	3	TO-220	21.89 (.862)	13.21 (.520)	14.73 (.580)	5.26 (.270)	5.08 (.200)	1.75 (.070)	.05/.10 (.002/.004)
56-77-8G	RoHS Compliant	Product Change Notice	2	TO-220	18.93 (.745)	13.84 (.545)	13.54 (.533)	5.38 (.212)	N/A	3.81 (.150)	.05/.10 (.002/.004)
56-77-11G	RoHS Compliant	Product Change Notice	2	TO-220	18.93 (.745)	13.84 (.545)	13.54 (.533)	5.38 (.212)	N/A	3.05 (.120)	.05/.10 (.002/.004)
56-03-2G	RoHS Compliant	Product Change Notice	4	TO-3	42.04 (1.655)	27.00 (1.063)	3.96 (.156)	1.57 (.062)	N/A	N/A	.05/.10 (.002/.004)
56-03-8G	RoHS Compliant	Product Change Notice	4	TO-3	42.85 (1.687)	30.15 (1.187)	3.96 (.156)	1.57 (.062)	N/A	N/A	.05/.10 (.002/.004)

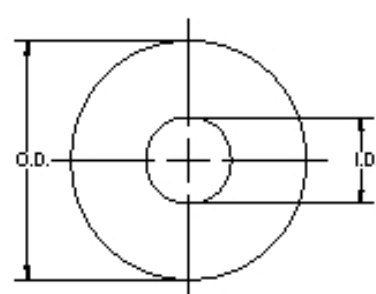
* This insulator is also for TO -18, TO -247, and TO3P.

Note: Tolerances are ± .38mm (.015") unless otherwise specified.



Note: Tolerances are ± .38mm (.015") unless otherwise specified.

Property	Typical Value 25°C
Electrical	
Dielectric Strength .025mm to .076mm thick in air (1 to 3 mils thick in air)	172 x 10 ³ volts/mm (4500 volts/mil)
Dielectric Constant	6.5 to 8.7
Dissipation Factor 10 ⁶ Cycles	.0001 - .004
Volume Resistivity	10 ¹⁵ ohm - cm
Physical	
Modulus of Elasticity in Tension	172 x 10 ³ (25 x 10 ⁶ psi)
Tensile Strength	310 MPa (45,000 psi)
Hardness Mohs	3.0
Shore	115
Comprehensive Strength	2.21 x 10 ⁸ Pa (32,000 psi)
Specific Gravity	2.9
Thermal	
Thermal Conductivity:	0.528 Wm ⁻¹ °C ⁻¹ (.30 Btu/hr.ft °F)
Coefficient of Thermal Expansion	3.24 x 10 ⁻⁵ /°C (1.8x 10 ⁻⁵ /°F)
Specific Heat	.084 KJ/Kg°C (.02 Btu/Lb °F)
Melting Point	1275°C
Maximum Operating Temperature (1022°C)	550°C
Chemical Composition	
Silica	45.4%
Alumina	37.5%
Potash	12.0%
Water	5.0%



Part Number	ID	OD	Diameter Tolerances	Thickness
56-02-10	5.16 (.203)	14.30 (.563)	± 13 (.005)	.05/.10 (.002/.004)
56-02-72	6.55 (.258)	25.40 (1.00)	± 38 (.015)	.10/.15 (.004/.006)