



RAYCHEM

TE Internal #: CL1819-000

Spec 55, Operating Voltage 600 VAC, Tin-Coated Copper, 22 AWG
Wire Size, Operating Temperature Range -65 – 150 °C, Twisted Pair
Cable

[View on TE.com >](#)

Wire & Cable > Twisted Pair Cable > 2 Core Twisted Pair Cable: Tin Coated Copper Cable, 22 AWG



Cable Type: **Spec 55**

Operating Voltage: **600 VAC**

Wire & Cable Insulation Material: **Modified Radiation Cross-linked ETFE Polymer**

Conductor Material: **Tin-Coated Copper**

Wire Size: **22 AWG**

[All 2 Core Twisted Pair Cable: Tin Coated Copper Cable, 22 AWG \(42\)](#)

Features

Product Type Features

Cable Style	Primary
-------------	---------

Configuration Features

Number of Conductors	2
Number of Strands	19

Electrical Characteristics

Operating Voltage	600 VAC
-------------------	---------

Body Features

Wire Color (Base)	Gray, White
Wire & Cable Insulation Material	Modified Radiation Cross-linked ETFE Polymer
Conductor Material	Tin-Coated Copper

Dimensions

Outside Cable Diameter	2.1 mm[.083 in]
Conductor Diameter Range	.74 mm[.029 in]
Strand Size	34 AWG
Wire Size	22 AWG

Usage Conditions

Cable Type	Spec 55
Operating Temperature Range	-65 – 150 °C[-85 – 302 °F]

Product Compliance

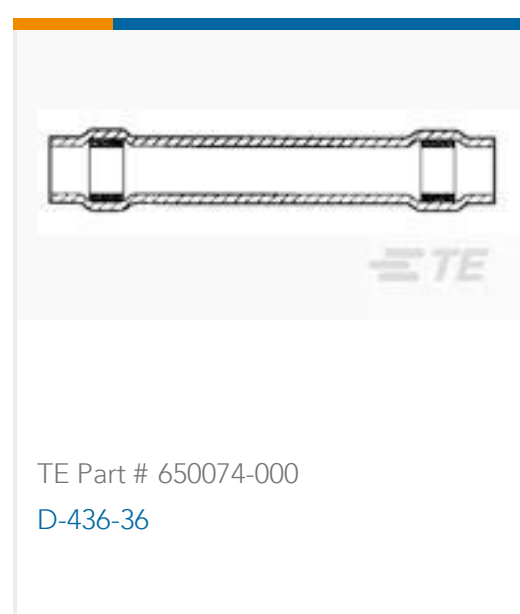
[For compliance documentation, visit the product page on TE.com>](#)

EU RoHS Directive 2011/65/EU	Compliant
EU ELV Directive 2000/53/EC	Compliant
China RoHS 2 Directive MIIT Order No 32, 2016	No Restricted Materials Above Threshold
EU REACH Regulation (EC) No. 1907/2006	Current ECHA Candidate List: JUNE 2024 (241) Candidate List Declared Against: JUNE 2024 (241) Does not contain REACH SVHC
Halogen Content	Out of Scope - excluded from Halogen requirements
Solder Process Capability	Not applicable for solder process capability

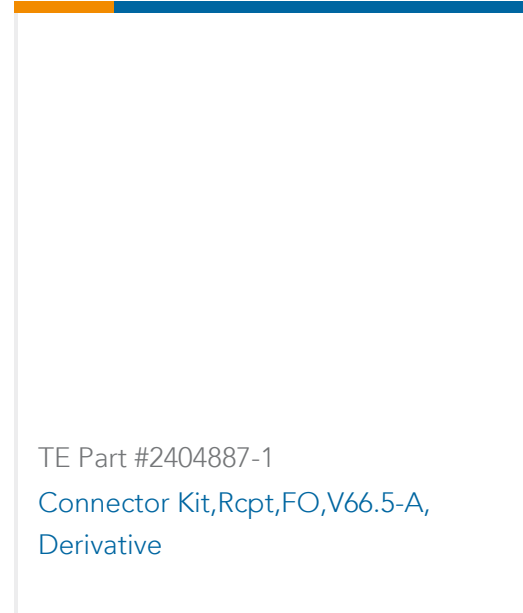
Product Compliance Disclaimer

This information is provided based on reasonable inquiry of our suppliers and represents our current actual knowledge based on the information they provided. This information is subject to change. The part numbers that TE has identified as EU RoHS compliant have a maximum concentration of 0.1% by weight in homogenous materials for lead, hexavalent chromium, mercury, PBB, PBDE, DBP, BBP, DEHP, DIBP, and 0.01% for cadmium, or qualify for an exemption to these limits as defined in the Annexes of Directive 2011/65/EU (RoHS2). Finished electrical and electronic equipment products will be CE marked as required by Directive 2011/65/EU. Components may not be CE marked. Additionally, the part numbers that TE has identified as EU ELV compliant have a maximum concentration of 0.1% by weight in homogenous materials for lead, hexavalent chromium, and mercury, and 0.01% for cadmium, or qualify for an exemption to these limits as defined in the Annexes of Directive 2000/53/EC (ELV). Regarding the REACH Regulation, the information TE provides on SVHC in articles for this part number is based on the latest European Chemicals Agency (ECHA) 'Guidance on requirements for substances in articles' posted at this URL: <https://echa.europa.eu/guidance-documents/guidance-on-reach>

Compatible Parts



Customers Also Bought



Documents

Product Drawings

[55PC0121-22-8/9](#)

English

Product Specifications

[Product Specification](#)

English