



RAYCHEM

TE Internal #: 1431213001

Spec 55, Operating Voltage 450 VAC, Silver-Coated High Strength Copper Alloy, 26 AWG Wire Size, Twisted Pair Cable

[View on TE.com >](#)

Wire & Cable > Twisted Pair Cable > Twisted Pair Cable: Silver Coated Cable, 450V Dual Wall



Cable Type: **Spec 55**

Operating Voltage: **450 VAC**

Wire & Cable Insulation Material: **Modified Radiation Cross-linked ETFE Polymer**

Conductor Material: **Silver-Coated High Strength Copper Alloy**

Wire Size: **26 AWG**

[All Twisted Pair Cable: Silver Coated Cable, 450V Dual Wall \(15\)](#)

Features

Electrical Characteristics

Operating Voltage	450 VAC
-------------------	---------

Body Features

Wire & Cable Insulation Material	Modified Radiation Cross-linked ETFE Polymer
Conductor Material	Silver-Coated High Strength Copper Alloy

Dimensions

Wire Size	26 AWG
-----------	--------

Usage Conditions

Cable Type	Spec 55
Operating Temperature Range	-65 – 200 °C[-85 – 392 °F]

Product Compliance

[For compliance documentation, visit the product page on TE.com>](#)

EU RoHS Directive 2011/65/EU	Compliant
EU ELV Directive 2000/53/EC	Not Yet Reviewed
China RoHS 2 Directive MIIT Order No 32, 2016	No Restricted Materials Above Threshold
EU REACH Regulation (EC) No. 1907/2006	



Current ECHA Candidate List: JUNE 2024 (241)
 Candidate List Declared Against: JUNE 2024 (241)
 Does not contain REACH SVHC

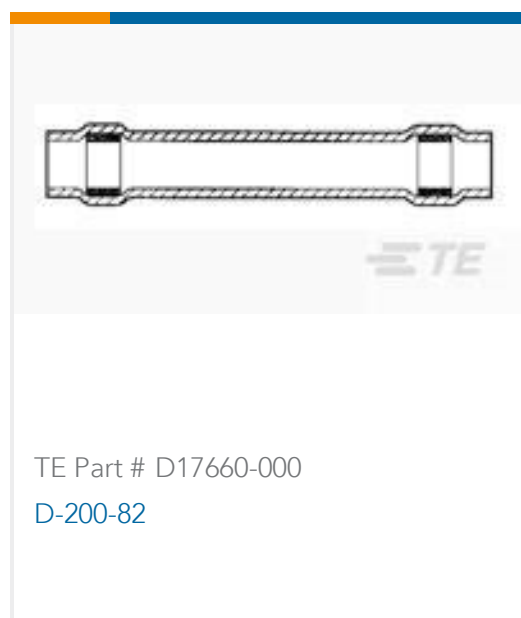
Halogen Content: Out of Scope - excluded from Halogen requirements

Solder Process Capability: Not applicable for solder process capability

Product Compliance Disclaimer

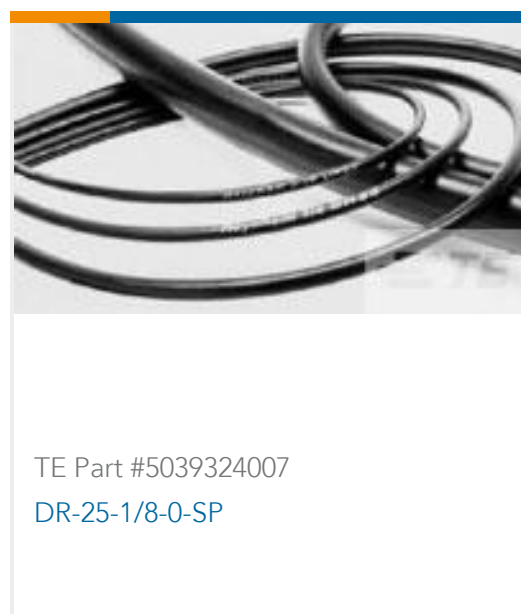
This information is provided based on reasonable inquiry of our suppliers and represents our current actual knowledge based on the information they provided. This information is subject to change. The part numbers that TE has identified as EU RoHS compliant have a maximum concentration of 0.1% by weight in homogenous materials for lead, hexavalent chromium, mercury, PBB, PBDE, DBP, BBP, DEHP, DIBP, and 0.01% for cadmium, or qualify for an exemption to these limits as defined in the Annexes of Directive 2011/65/EU (RoHS2). Finished electrical and electronic equipment products will be CE marked as required by Directive 2011/65/EU. Components may not be CE marked. Additionally, the part numbers that TE has identified as EU ELV compliant have a maximum concentration of 0.1% by weight in homogenous materials for lead, hexavalent chromium, and mercury, and 0.01% for cadmium, or qualify for an exemption to these limits as defined in the Annexes of Directive 2000/53/EC (ELV). Regarding the REACH Regulation, the information TE provides on SVHC in articles for this part number is based on the latest European Chemicals Agency (ECHA) 'Guidance on requirements for substances in articles' posted at this URL: <https://echa.europa.eu/guidance-documents/guidance-on-reach>

Compatible Parts



TE Part # D17660-000
D-200-82

Customers Also Bought



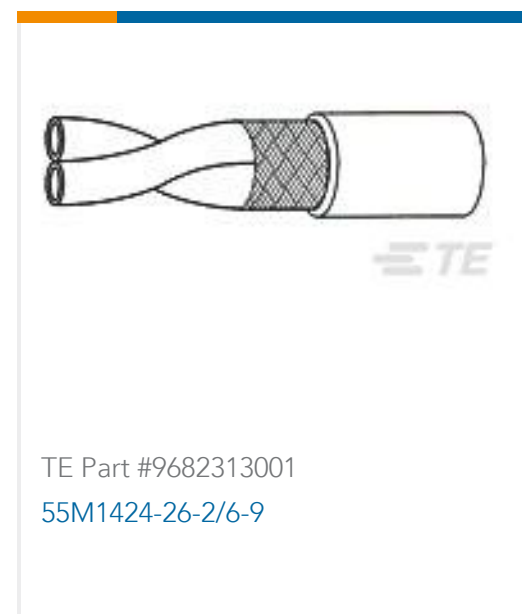
TE Part #5039324007
DR-25-1/8-0-SP



TE Part #6504744001
DR-25-TW-3/32-0-SP



TE Part #CB03314003
RW-200-E-3/16-0-SP



TE Part #9682313001
55M1424-26-2/6-9



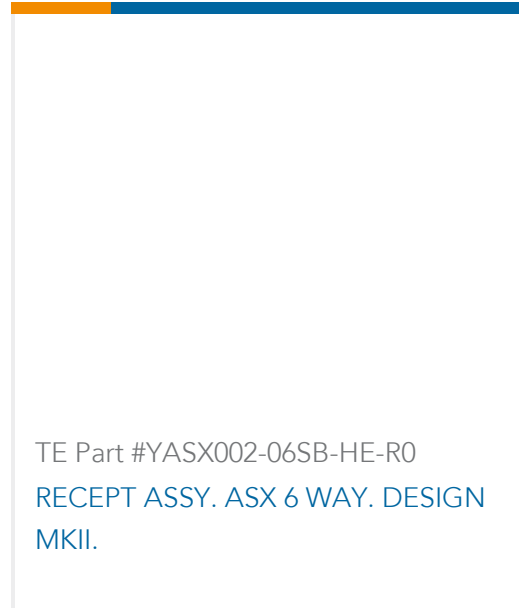
TE Part #620001-000
D-100-00



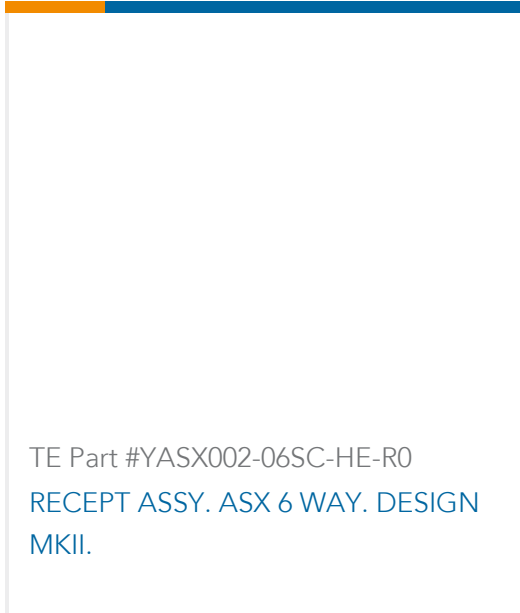
TE Part #7487473001
55M0414-24-9



TE Part #8471873001
55M0414-28-6



TE Part #YASX002-06SB-HE-R0
RECEPT ASSY. ASX 6 WAY. DESIGN
MKII.



TE Part #YASX002-06SC-HE-R0
RECEPT ASSY. ASX 6 WAY. DESIGN
MKII.

Documents

Product Drawings

55M1444-26-2/4/6/9-9

English